

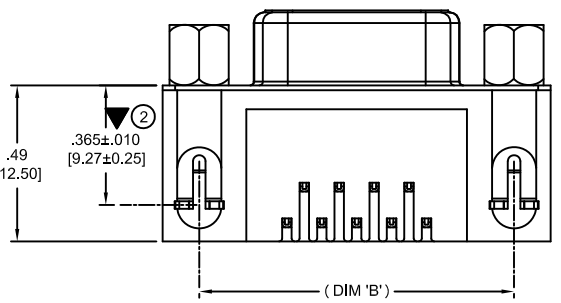
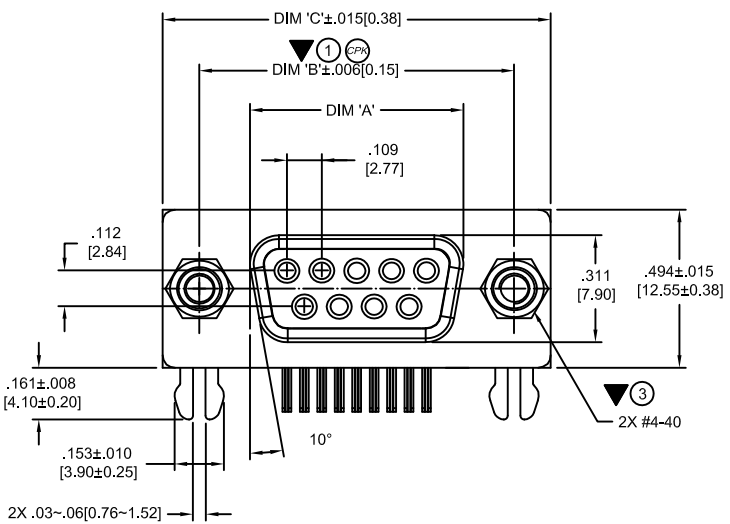
PART NO. CA-XXDSR-1X-X

D

C

B

A



- 6. MARK ∇ DIMENSION MUST BE CONTROLLED.
MARK \otimes IS DIMENSION No.
MARK \odot DIMENSION MUST BE CONTROLLED BY CPK.
- 5. MEETS THE REQUIREMENT OF THE EUROPEAN PARLIAMENT AND THE RESTRICTION OF THE USE OF CERTAIN HAZARDOUS SUBSTANCES IN ELECTRICAL AND ELECTRONIC EQUIPMENT. (RoHS)
- 4. CA-09DSR-11 SHOWN FOR ILLUSTRATION ONLY.

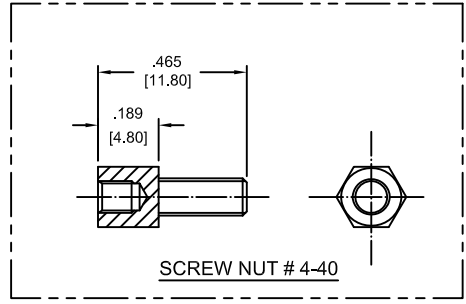
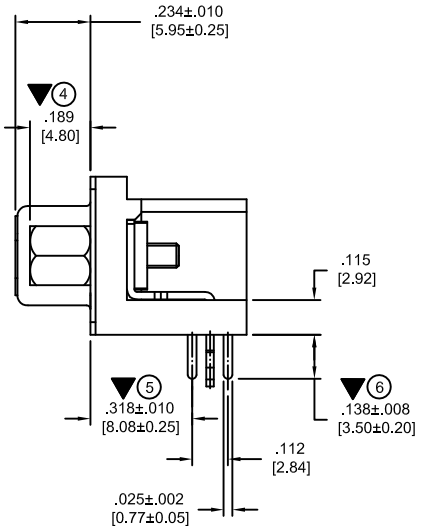
3. TABULATION:

NO OF POSITION.	DIM 'A'		DIM 'B'		DIM 'C'	
	INCH	MM	INCH	MM	INCH	MM
9	0.643	16.33	0.984	24.99	1.213	30.81
15	0.970	24.64	1.311	33.3	1.540	39.12
25	1.515	38.49	1.856	47.15	2.085	52.97
37	2.159	54.84	2.500	63.5	2.729	69.32

- 2. ADDITIONAL PLATING OPTIONS AVAILABLE.
- 1. MATERIAL:
HOUSING: PBT, UL94V-0, COLOR: BLACK
SHELL MATERIAL: SPCC, T: .016±.0008"[0.40±.02]_.000120"[0.00304mm] Ni PLATED ALL OVER
CONTACT: BRASS, T: .008±.0008"[2.0±0.02mm]
CONTACT PLATING:
CONTACT AREA: GOLD FLASH
SOLDER AREA: .000100"[0.00254mm] TIN MIN.
SCREW: BRASS, .000120"[0.00304mm] Ni PLATED ALL OVER
BOARDLOCK: SPCC, T: .024±.0008"[0.60±0.02mm]
PLATING: .000100"[0.00254mm] TIN PLATED MIN.
.000050"[0.00127mm] MIN. NICKEL

NOTES: UNLESS OTHERWISE SPECIFIED.

3



2

DIMENSIONS IN BRACKET [X.XX] ARE IN INCHES. TOLERANCES ARE:

DECIMALS	ANGLES
.XX ±.010	±3°
.XXX ±.005	

DIMENSIONS IN BRACKET [X.XX] ARE IN MILLIMETERS

DECIMALS	ANGLES
X ±.25	±3°
XX ±.13	

DO NOT SCALE DRAWING

APPROVALS		DATE
DRAWN	IAN MORRELL	10-2-87
CHECKED	J. McALLISTER	10-2-87

THE INFORMATION AND DESIGN DISCLOSED HEREIN WAS OBTAINED BY AND IS THE PROPERTY OF CIRCUIT ASSEMBLY CORPORATION. CIRCUIT ASSEMBLY CORPORATION RESERVES ALL PATENT, PROPRIETARY, DESIGN, MANUFACTURING, REPRODUCTION, USE, AND SALES RIGHTS THEREON, AND TO ANY ARTICLE, DISCLOSED HEREIN EXCEPT TO THE EXTENT RIGHTS ARE EXPRESSLY GRANTED TO OTHERS. THE FOREGOING DOES NOT APPLY TO VENDOR. PROPRIETARY RIGHTS.

CIRCUIT ASSEMBLY CORP. 6 ATRY SUITE 150, IRVINE, CALIFORNIA 92618		
SOCKET ASSEMBLY - "D" SUBMINIATURE RIGHT ANGLE, .318 FOOTPRINT TYPE: CA-XXDSR-1X-X		
SIZE	CODE IDENT NO.	DRAWING NO.
C	52072	610122
REV.	M	

REVISIONS			
LTR	DESCRIPTION	DATE	APPROVED
A	INITIAL RELEASE SEE ECR 558	10-02-87	JMcA
B	INITIAL RELEASE SEE ECO 1421	7-17-90	JMcA
C	SEE DO 4010	JL 5-12-00	A.J.
D	SEE DO 4359	CW 2-5-01	A.J.
E	SEE DO 4588	CP 8-24-01	A.J.
F	SEE DO 5555	CP 8-03-04	A.J.
G	SEE DO 6422	CP 5-16-07	A.J.
H	SEE DO 7341	CP 9-02-15	T.L.
J	SEE DO 7343	CP 9-28-15	I.M.
K	SEE DO 7485	CP 10-12-18	T.L.
L	SEE DO 7491	CP 11-08-18	T.L.
M	SEE DO 7594	CP 01-22-21	T.L.

ORDERING NOMENCLATURE:
CA - XXDSR -1- X - X

NUMBER OF POSITIONS: _____

"D" SUBMINIATURE SOCKET RIGHT ANGLE _____

MOUNTING FLANGE CONFIGURATION _____

1 = # 4-40 UNC HEX SCREWLOCK _____

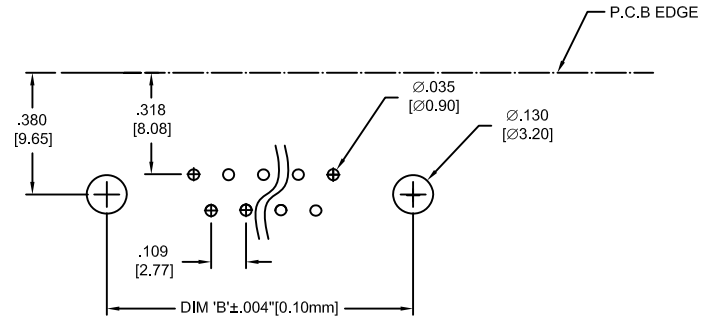
GROUND STRAP CONFIGURATION _____

1 = GROUND STRAP WITH SELF RETAINING FORK
 RECOMMENDED P.C.B HOLE SIZE: \varnothing .125±.01[3.18±.25]
 (1/18" THK P.C.B)

2 = GROUND STRAP WITH \varnothing .13±.01[3.30±.25] CLEARANCE HOLE _____

FASTENER OPTIONS _____

BLANK = # 4-40 UNC HEX SCREWLOCK INSTALLED
 N = # 4.40 UNC SCREWLOCK PACKAGED SEPARATELY



RECOMMENDED PCB LAYOUT
 PCB THK. = 1.0~1.8mm
 TOLERANCE: ±0.05

ORDERING NOMENCLATURE:

CA - XXDSR -1- X - X

NUMBER OF POSITIONS: _____

"D" SUBMINIATURE SOCKET RIGHT ANGLE _____

MOUNTING FLANGE CONFIGURATION _____

1 = # 4-40 UNC HEX SCREWLOCK _____

GROUND STRAP CONFIGURATION _____

1 = GROUND STRAP WITH SELF RETAINING FORK
 RECOMMENDED P.C.B HOLE SIZE: \varnothing .125±.01[3.18±.25]
 (1/18" THK P.C.B)

2 = GROUND STRAP WITH \varnothing .13±.01[3.30±.25] CLEARANCE HOLE _____

FASTENER OPTIONS _____

BLANK = # 4-40 UNC HEX SCREWLOCK INSTALLED
 N = # 4.40 UNC SCREWLOCK PACKAGED SEPARATELY