

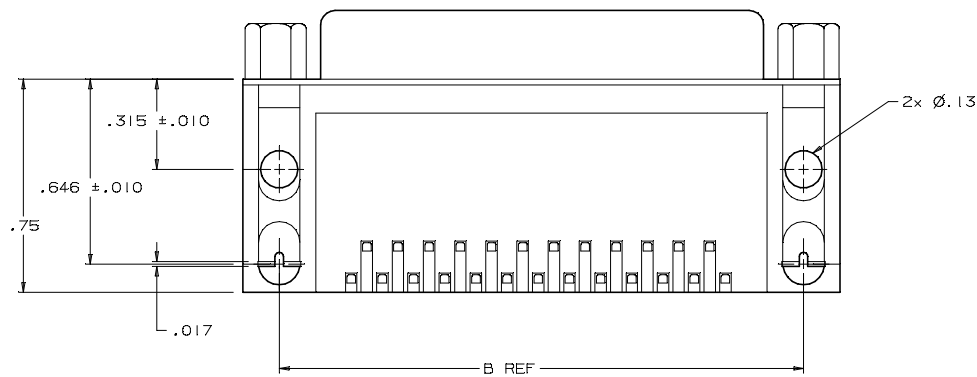
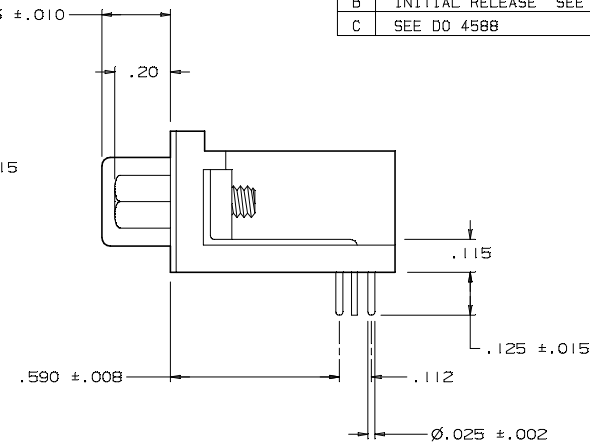
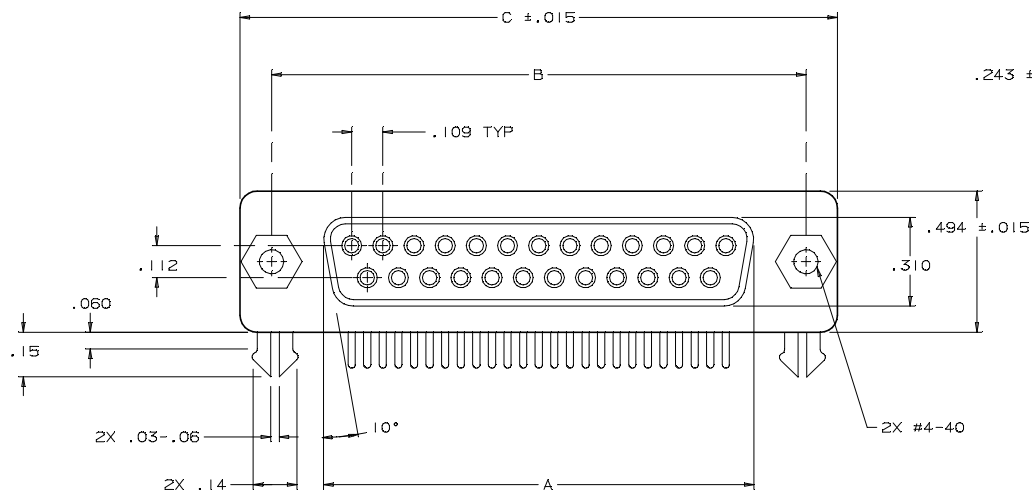
4

3

2

1

REVISIONS				
LTR	DESCRIPTION	DATE	APPROVED	
A	INITIAL RELEASE SEE ECR 558	10-01-87	J.Me.A	
B	INITIAL RELEASE SEE ECO 1419	B-17-90	J.Me.A	
C	SEE DO 4588	CP B-23-01	A.J.	



6. ORDERING NOMENCLATURE:

CA - [] DSRL - [] []

NUMBER OF POSITIONS:

"D" SUBMINIATURE SOCKET
RIGHT ANGLEMOUNTING FLANGE
CONFIGURATION

- 0 = #4-40 THREADED HOLE
- 1 = #4-40 THREADED STAND-OFF

GROUND STRAP CONFIGURATION:

- 1 = GROUND STRAP WITH SELF RETAINING FORK
RECOMMENDED P.C.B HOLE SIZE: .125 ±.005
(1/16" THK P.C.B)
- 2 = GROUND STRAP WITH .13 ±.01 DIA CLEARANCE HOLE

5. CA-25DSR-11 SHOWN FOR ILLUSTRATION ONLY

4. TABULATION:

NO. OF POSITIONS	A	B	C
9	.643	.984	1.213
15	.971	1.312	1.541
25	1.511	1.852	2.085
37	2.159	2.500	2.729

3. SHELL MATERIAL: STEEL, TIN PLATED

2. CONTACT MATERIAL: PHOSPHOR BRONZE, GOLD OVER NICKEL PLATED

1. INSULATOR MATERIAL: GLASS FILLED POLYESTER, BLACK, UL94V-0

NOTES:

DIMENSIONS ARE IN INCHES TOLERANCES ARE: DECIMALS ANGLES .XX ± .010 ± 3° .XXX ± .005	APPROVALS	DATE	CIRCUIT ASSEMBLY CORP. 18 THOMAS ST., IRVINE, CALIFORNIA 92618-2777 SOCKET ASSEMBLY - "D" SUBMINIATURE RIGHT ANGLE, .590 FOOTPRINT TYPE: CA-DSRL-XX		
	DRAWN IAN MORRELL	10/1/87			
DIMENSIONS IN BRACKETS (X.XX) ARE IN MILLIMETERS TOLERANCES ARE: DECIMALS ANGLES .X ± .25 ± 3° .XX ± .13	CHECKED Mc ALISTER	10/1/87	THE INFORMATION AND DESIGN DISCLOSED HEREIN WAS OBTAINED BY AND IS THE PROPERTY OF CIRCUIT ASSEMBLY CORPORATION. CIRCUIT ASSEMBLY CORPORATION RESERVES ALL PATENT, PROPRIETARY, DESIGN, MANUFACTURING, REPRODUCTION, USE AND SALES RIGHTS THEREOF, AND TO ANY ARTICLE DISCLOSED HEREIN EXCEPT TO THE EXTENT RIGHTS ARE EXPRESSLY GRANTED TO OTHERS. THE FOREGOING DOES NOT APPLY TO VENDOR PROPRIETARY RIGHTS.		
	DO NOT SCALE DRAWING	SIZE	CODE IDENT NO.	DRAWING NO.	REV.
	SCALE: NONE	C 52072	610119	C	SHEET 1 OF 1

4

3

2

1