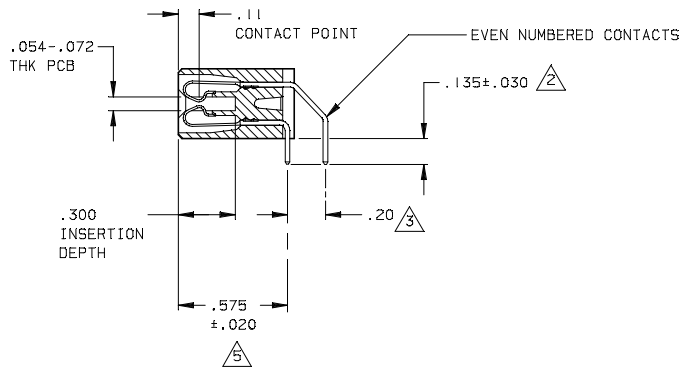
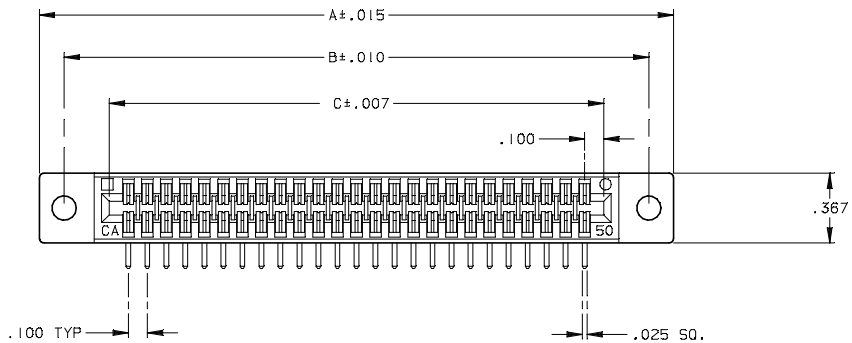


PART NO. CA-XXEC2R-X-SD

CA-50EC2R-1-SD SHOWN FOR ILLUSTRATION PURPOSES ONLY

REVISIONS			
LTR	DESCRIPTION	DATE	APPROVED
A	INITIAL RELEASE SEE ECR 162	12-28-84	JMcA
B	SEE ECO 2515	DL 4-2-96	A. J.
C	SEE DD 4126	C.P. 8-21-00	A. J.
D	SEE DD 4503	N.T 5-30-01	A. J.

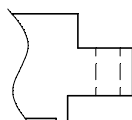


ORDERING NOMENCLATURE

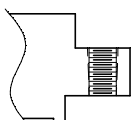
CA- EC2R--SD

- TOTAL NO OF CONTACTS
- EDGE CARD SERIES 2
- RIGHT ANGLE
- MOUNTING CONFIGURATION
  - 1= .128 DIAMETER HOLE
  - 3= NO MOUNTING EARS
  - 4= 4-40 THREADED INSERT
  - 5= .128 DIAMETER HOLE FOR RIGHT ANGLE
- TAIL TYPE

MOUNTING CONFIGURATIONS



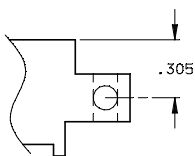
-1  
Ø.128 HOLE



-4  
4-40 THREADED INSERTS



-3  
NO MOUNTING EARS



-5  
Ø.128 FOR RIGHT ANGLE

TABULATION

PART NO	DIM.A	DIM.B	DIM.C	DIM.D
CA-24EC2R-X-SD	2.035	1.775	1.300	1.460
CA-34EC2R-X-SD	2.535	2.275	1.800	1.960
CA-36EC2R-X-SD	2.635	2.375	1.900	2.060
CA-40EC2R-X-SD	2.835	2.575	2.100	2.260
CA-44EC2R-X-SD	3.035	2.775	2.300	2.460
CA-50EC2R-X-SD	3.335	3.075	2.600	2.760
CA-60EC2R-X-SD	3.835	3.575	3.100	3.260
CA-62EC2R-X-SD	3.935	3.675	3.200	3.360
CA-86EC2R-X-SD	5.135	4.875	4.400	4.560

6. PLATING:
  - CONTACT AREA :.000020 GOLD SELECTIVE PLATE
  - TAIL AREA :.000150 90/10 TIN/LEAD ALLOY
  - UNDER PLATE :.000075 NICKEL
5.  $\Delta$  DENOTES INSPECTION CRITERIA LINE ITEM NO.
4. INTERPRET DIMENSIONS AND TOLERANCES PER ASME Y14.5M 1994
3. DETAIL SPECIFICATION SEE DRAWING 100031
2. CONTACT MATERIAL: PHOSPHOR BRONZE
1. INSULATOR MATERIAL: GLASS FILLED POLYESTER, COLOR:GREEN, UL94V-0

NOTES: UNLESS OTHERWISE SPECIFIED

DIMENSIONS ARE IN INCHES TOLERANCES ARE:		APPROVALS		DATE	<b>CIRCUIT ASSEMBLY CORP.</b> 18 THOMAS ST., IRVINE, CALIFORNIA 92618-2777		
DECIMALS	ANGLES	DRAWN IAN MORRELL		12-28-84			
.XX ± .010	± 3°	CHECKED J. McALLISTER		1-2-85	CONNECTOR ASSEMBLY EDGE CARD, RIGHT ANGLE EC2R		
.XXX ± .005							
DIMENSIONS IN BRACKETS (X.XX) ARE IN MILLIMETERS TOLERANCES ARE:		THE INFORMATION AND DESIGN DIS- CLOSED HEREIN WAS ORIGINATED BY AND IS THE PROPERTY OF CIRCUIT ASSEMBLY CORPORATION. CIRCUIT ASSEMBLY CORPORATION RESERVES ALL INVENT, PROPRIETARY, DESIGN, MANUFACTURING, REPRODUCTION, USE AND SALES RIGHTS THERE TO, AND TO ANY ARTICLE DISCLOSED HEREIN EXCEPT TO THE EXTENT RIGHTS ARE EXPRESSLY GRANTED TO OTHERS, THE FOREGOING DOES NOT APPLY TO VENDOR PROPRIETARY RIGHTS.		SIZE	CODE IDENT NO.	DRAWING NO.	REV.
DECIMALS	ANGLES	DO NOT SCALE DRAWING		C	52072	610066	D
.X ±				SCALE: 2:1			SHEET 1 OF 1