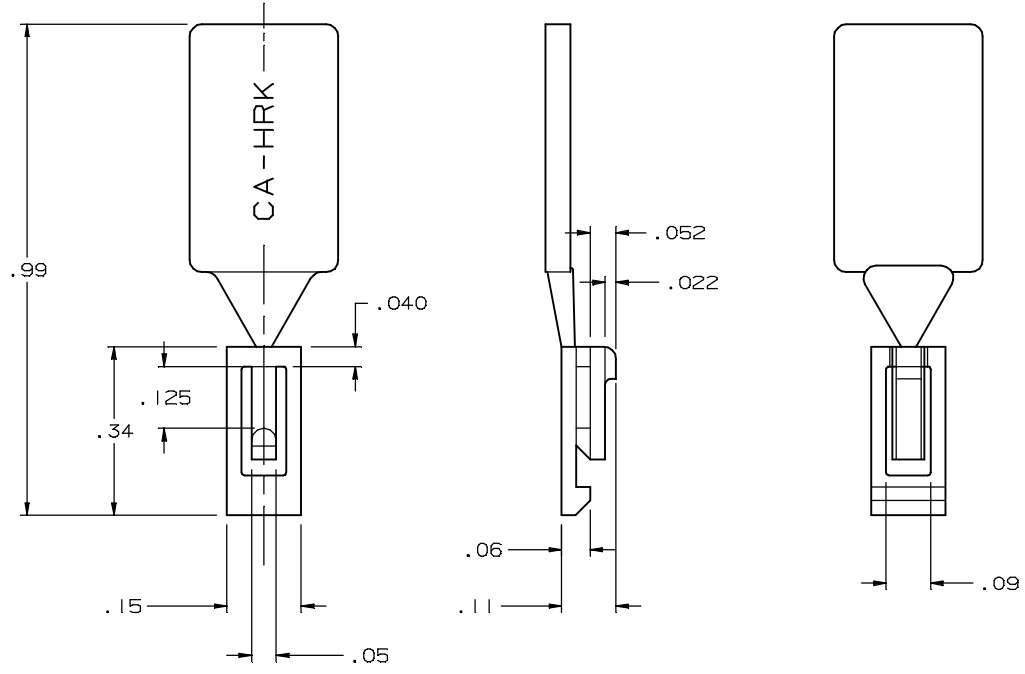


PART NO. CA-HRK

REVISIONS

LTR	DESCRIPTION	DATE	APPROVED
A	INITIAL RELEASE SEE DO 3233	PH 10-08-98	A. J.



DIMENSIONS ARE IN INCHES TOLERANCES ARE: DECIMALS ANGLES .XX ± .010 ° .XXX ± .005	APPROVALS	DATE
	DRAWN P. HAAR	10/8/98
DIMENSIONS IN BRACKETS (X.XX) ARE IN MILLIMETERS TOLERANCES ARE: DECIMALS ANGLES .X ± ± 3° .XX ±	CHECKED A. Jochen	10-08-98
	THE INFORMATION AND DESIGN DISCLOSED HEREIN WAS ORIGINATED BY AND IS THE PROPERTY OF CIRCUIT ASSEMBLY CORPORATION. CIRCUIT ASSEMBLY CORPORATION RESERVES ALL PATENT, PROPRIETARY, DESIGN, MANUFACTURING, REPRODUCTION, USE AND SALES RIGHTS THEREOF, AND TO ANY ARTICLE DISCLOSED HEREIN EXCEPT TO THE EXTENT RIGHTS ARE EXPRESSLY GRANTED TO OTHERS, THE FOREGOING DOES NOT APPLY TO VENDOR PROPRIETARY RIGHTS.	
DO NOT SCALE DRAWING		

	CIRCUIT ASSEMBLY CORP. 18 THOMAS ST., IRVINE, CALIFORNIA 92618-2777		
	POLARIZING KEY SHROUDED HEADER - HRK		
SIZE B	CODE IDENT NO. 52072	DRAWING NO. 100251	REV. A
SCALE: 4 : 1		SHEET 1 OF 1	