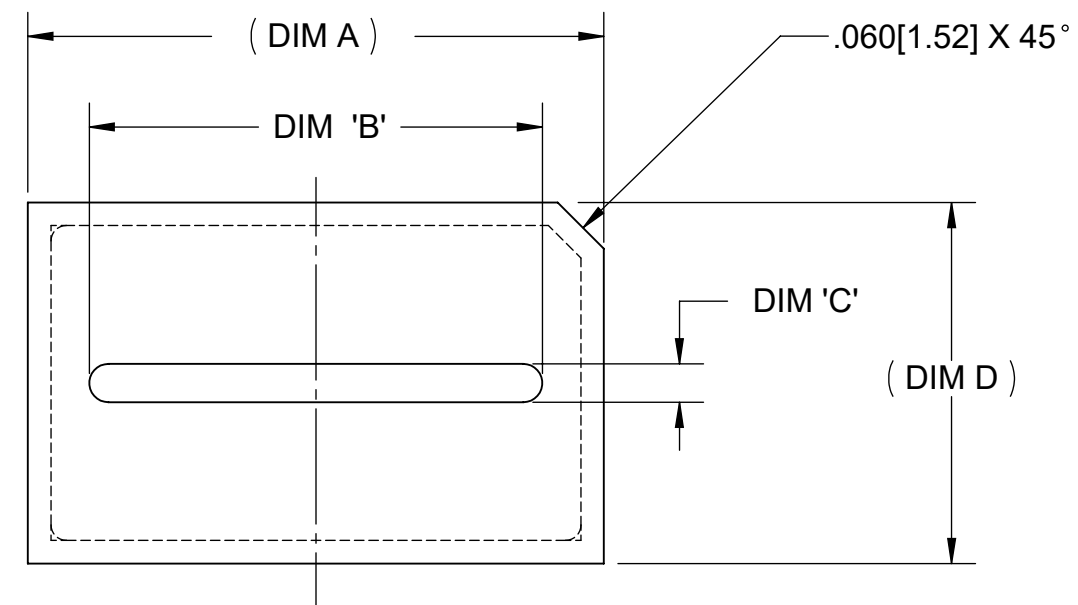


PART NO. CA-630058-XX

REVISIONS				
LTR	DESCRIPTION	DATE	APPROVED	
A	INITIAL RELEASE SEE DO 7562	C.P. 03-26-20	T.L.	
B	SEE DO 7612	C.P. 04-14-20	T.L.	



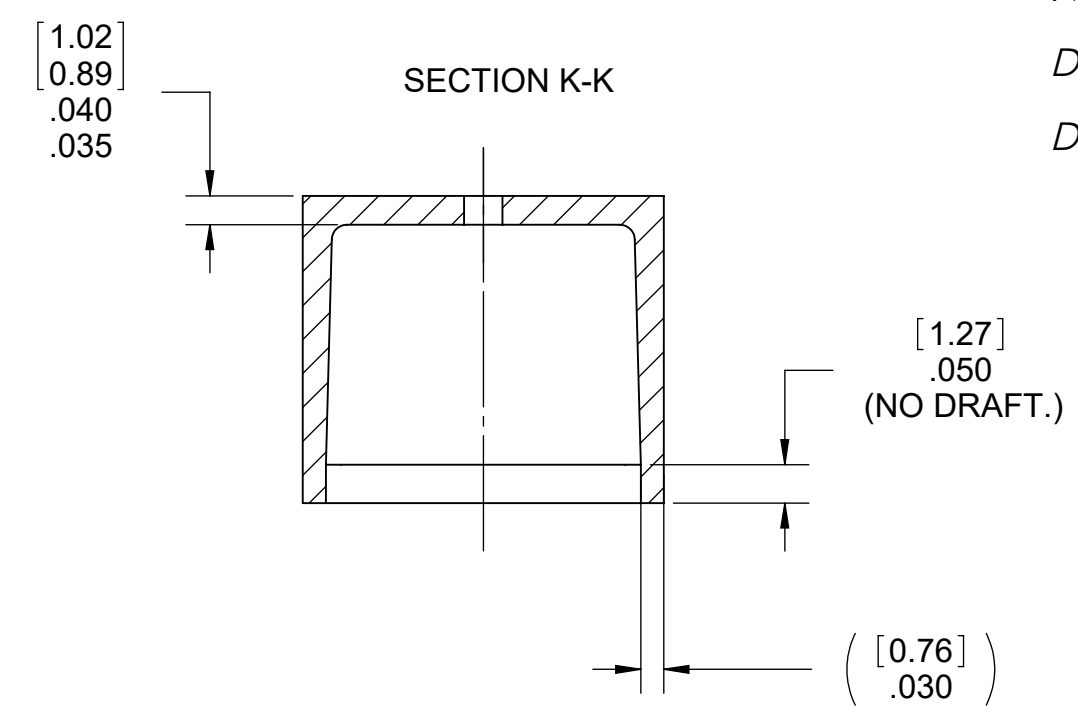
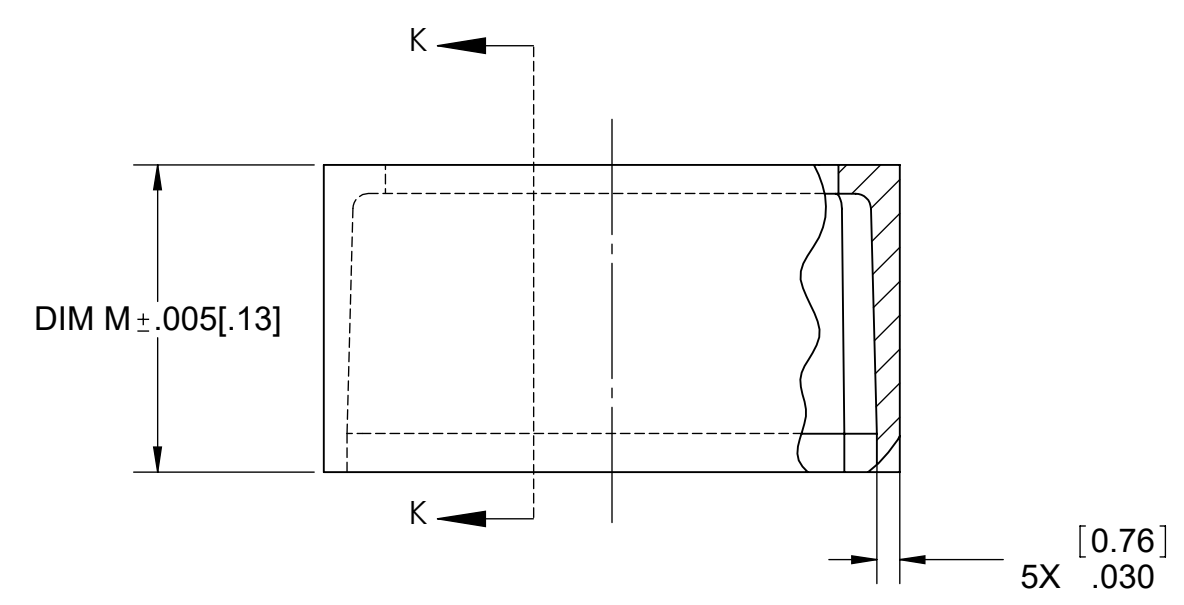
ORDERING NOMENCLATURE:

**CA-630058-XX**

**3** **OPTION (DASH NO):**  
FOR ORDERING: REFER TABULATION,  
MANUFACTURING P/N:

**XX-XXX-XXX**

NO OF POS \_\_\_\_\_  
DIM 'M' \_\_\_\_\_  
DIM 'C' \_\_\_\_\_



**3** **TABULATION**

DASH NO.	MANUF. P/N.	(DIM A)		DIM B		DIM C		(DIM D)		DIM M	
		IN	MM	IN	MM	IN	MM	IN	MM	IN	MM
-01	14-400-000	0.750	19.05	CLOSED		CLOSED		0.470	11.94	0.397	10.08
-02	14-400-050			0.590	14.99	0.050	1.27				
-03	14-400-080			0.590	14.99	0.080	2.03				
-04	16-400-000	0.850	21.59	CLOSED		CLOSED		0.470	11.94		
-05	16-400-050			0.690	17.53	0.050	1.27				
-06	16-400-080			0.690	17.53	0.080	2.03				
-07	20-400-000	1.050	26.67	CLOSED		CLOSED		0.795	20.19		
-08	24-400-000	1.250	31.75	CLOSED		CLOSED					
-09	24-400-050			1.100	27.94	0.050	1.27				
-10	40-400-000	2.050	52.07	CLOSED		CLOSED		0.795	20.19		
-11	28-400-000	1.450	36.83	CLOSED		CLOSED					
-12	08-400-000	0.450	11.43	CLOSED		CLOSED					
-13	14-325-000	0.750	19.05	CLOSED		CLOSED		0.325	8.26		

- 2. MATERIAL: POLYAMIDE (NYLON), PA66, 15% GLASS FILLED, COLOR BLACK, UL 94 V-0
- 1. MEETS THE REQUIREMENTS OF THE EUROPEAN PARLIAMENT AND THE RESTRICTION OF THE USE OF CERTAIN HAZARDOUS SUBSTANCES IN ELECTRICAL AND ELECTRONIC EQUIPMENT. (RoHS)

NOTES: UNLESS OTHERWISE SPECIFIED

DIMENSIONS IN ARE IN INCHES TOLERANCES ARE:  DECIMALS .XX ±.005 ANGLES .XXX ±.002 DIMENSIONS IN BRACKET (X.XX) ARE MILLIMETERS TOLERANCES ARE:  DECIMALS .X ±.13 ANGLES .XX ±.05 DO NOT SCALE DRAWING	<b>APPROVALS</b> DRAWN CUONG P. CHECKED TERRI LANG	<b>DATE</b> 03-26-20 03-26-20	<b>CA CIRCUIT ASSEMBLY CORP.</b> 6 AUTRY SUITE 150, IRVINE, CALIFORNIA 92618  <b>ACCESSORY - P SERIES</b> <b>COVER - HEADER, TOP ENTRY. .400 HIGH</b> <b>'RoHS'</b>
	SIZE C CODE IDENT NO. 52072 SCALE: 4:1	DRAWING NO. <b>630058</b> REV. <b>B</b>	