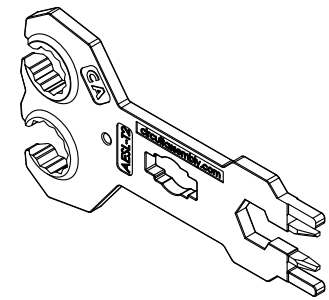
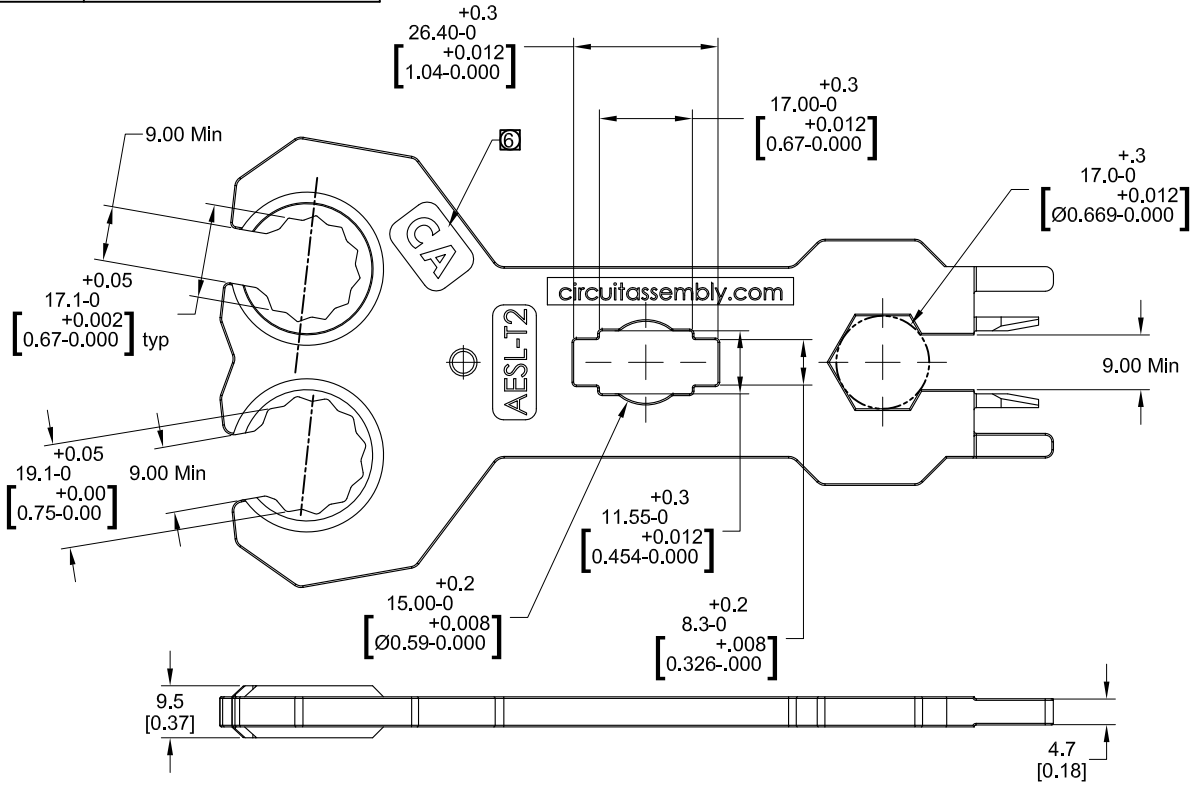


PART NO. CA-AESL-T2

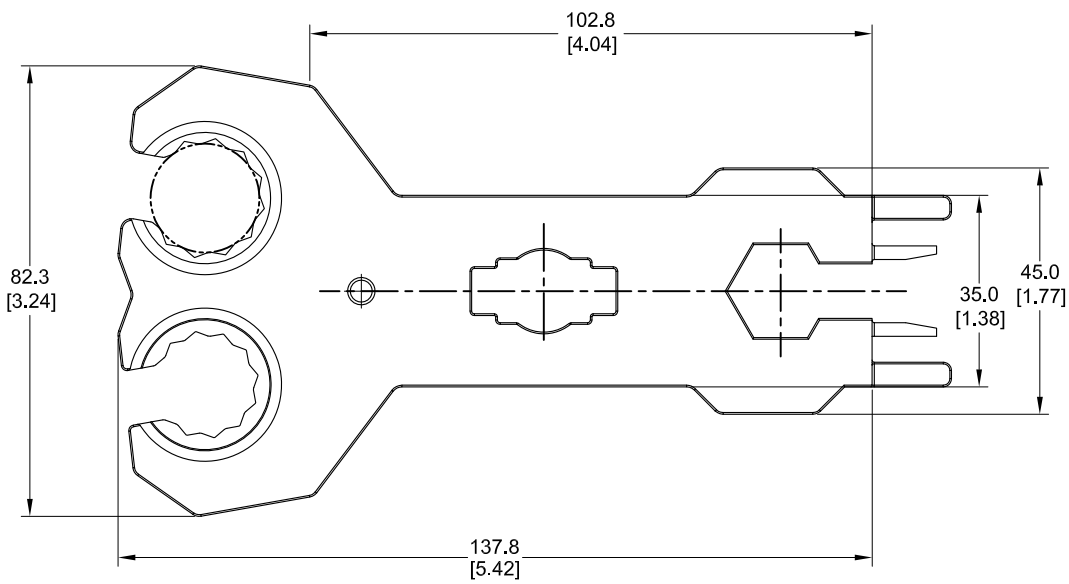
REVISIONS				
LTR	DESCRIPTION	DATE	APPROVED	
A	INITIAL RELEASE SEE DO 7501	C.P. 02-11-19	T.L.	
A	SEE DO 7506	C.P. 02-22-19	T.L.	



## CA-AESL-T2

ALTERNATIVE ENERGY  
SOLAR LOCKING

WRENCH FOR DISENGAGEMENT OF LATCH  
& ASSEMBLY OF COVER FOR SOLAR CONNECTORS



7. THE TORQUE IS REQUIRED 50Nm MINIMUM.
- ⑥ THE FONT OF CA LOGO IS: Swis721BT.
5. ALL CORNERS SHOWN SHARP TO HAVE 0.20mm[.008"] RADIUS MAXIMUM.
4. BURN, SHORT SHOT , OR ANY OTHER COSMETIC OR PHYSICAL DAMAGE ARE NOT ACCCEPTACLE.
3. FLASH NOT TO EXCEED 0.03mm[.001"] FROM ANY SURFACE.
2. MATERIAL: PA66, 30% GLASS FILLED, UL94V-0, COLOR: GREEN #322U
1. MEETS THE REQUIREMENTS OF THE EUROPEAN PARLIAMENT AND THE RESTRICTION OF THE USE OF CERTAIN HAZARDOUS SUBSTANCES IN ELECTRICAL AND ELECTRONIC EQUIPMENT. ( RoHS)

NOTES: UNLESS OTHERWISE SPECIFIED

DIMENSIONS ARE IN MM TOLERANCES ARE:		APPROVALS	DATE	<b>CIRCUIT ASSEMBLY CORP.</b> 3A VANDERBILT, IRVINE, CALIFORNIA 92618-2030 <b>ACCESSORY - AESL SERIES</b> <b>TOOLING FOR OPENING SOLAR CONN.</b> <b>(CA-AESL-T2)</b>	
DECIMALS	ANGLES	DRAWN CUONG PHAM	2-11-19		
XX ± .30	± 3°	CHECKED TERRI LANG	2-11-19		
XXX ± .15		<small>THE INFORMATION AND DESIGN DISCLOSED HEREIN WAS ORIGINATED BY AND IS THE PROPERTY OF CIRCUIT ASSEMBLY CORPORATION. CIRCUIT ASSEMBLY CORPORATION RESERVES ALL PATENT, PROPRIETARY, DESIGN, MANUFACTURING, REPRODUCTION, USE AND SALES RIGHTS THEREON, AND TO ANY ARTICLE DISCLOSED HEREIN EXCEPT TO THE EXTENT RIGHTS ARE EXPRESSLY GRANTED TO OTHERS. THE FOREGOING DOES NOT APPLY TO PERSON OR PROPRIETARY RIGHTS.</small>			
DECIMALS	ANGLES	SIZE	CODE IDENT NO.	DRAWING NO.	REV.
XX ± .012	± 3°	C	52072	<b>630054</b>	<b>B</b>
XXX ± .006		SCALE: NONE	SHEET 1 OF 1		