

4

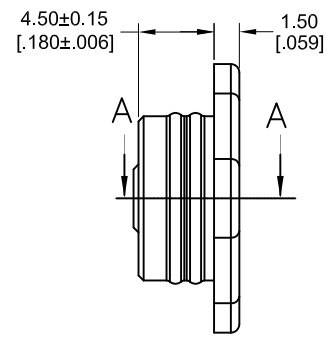
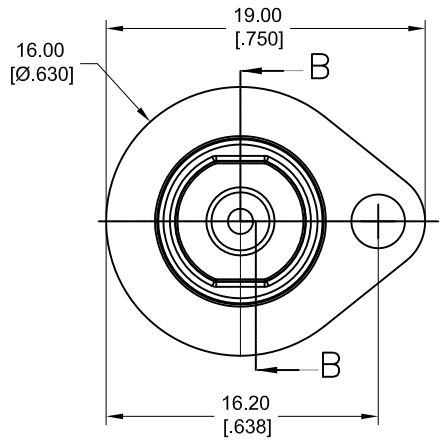
3

2

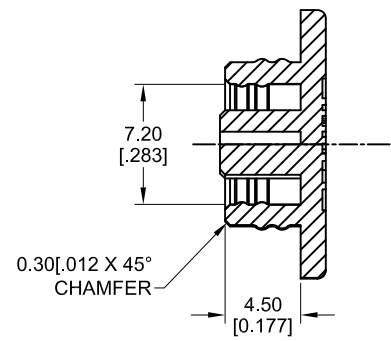
1

PART NO. CA-AESL/DC-X-X

REVISIONS				
LTR	DESCRIPTION	DATE	APPROVED	
A	INITIAL RELEASE SEE DO 7501	C.P. 02-11-19	T.L.	
B	SEE DO 7505	C.P. 02-21-19	T.L.	
C	SEE DO 7506	C.P. 02-22-19	T.L.	
D	SEE DO 7551	C.P. 02-14-20	T.L.	
E	SEE DO 7636	C.P. 10-18-21	T.C.	



SECTION B-B



P/N: CA-AESL/DC-X-1

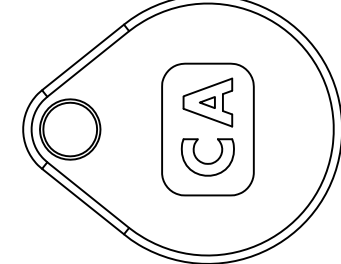
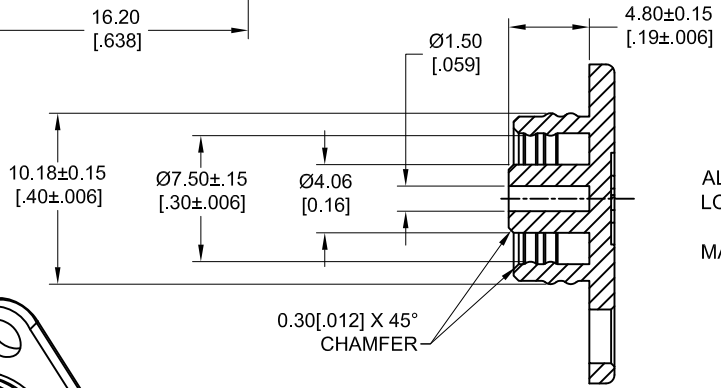


Figure # 1



SECTION A-A

CA-AESL/DC-X-X

ALTERNATIVE ENERGY SOLAR LOCKING, DUST COVER

MATERIAL OPTION

- 1 = TPE, COLOR: BLACK
- 2 = PVC, COLOR: GREEN #322U
- 3 = PVC, COLOR: RED
- 4 = PVC, COLOR: BLACK

LOGO OPTION

- 1 = CA LOGO
- 2 = RM LOGO
- 3 = BLANK

P/N: CA-AESL/DC-X-2

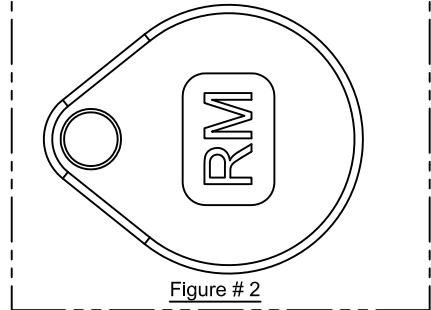
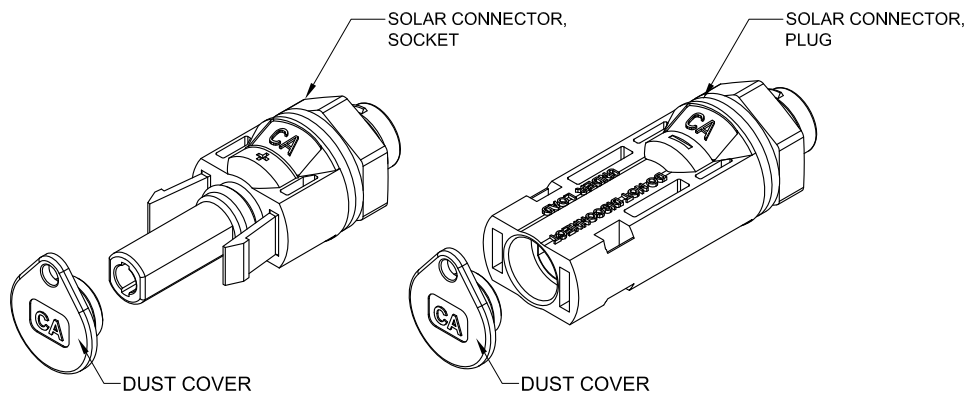


Figure # 2

APPLICATION



3. THE COVER SHALL BE MATED WITH THE SOLAR CONNECTORS OF CA PART NO SERIES: CA-H619XXX-XX, CA-H629XXX-XX, CA-H630XXX-XX, CA-H630011-XX.

2. MATERIAL: SEE ORDERING NOMENCLATURE

1. MEETS THE REQUIREMENTS OF THE EUROPEAN PARLIAMENT AND THE RESTRICTION OF THE USE OF CERTAIN HAZARDOUS SUBSTANCES IN ELECTRICAL AND ELECTRONIC EQUIPMENT. (RoHS)

NOTES: UNLESS OTHERWISE SPECIFIED

DIMENSION ARE IN MILLIMETERS TOLERANCES ARE: DECIMALS ANGLES X ±.25 °3' XX ±.13	APPROVALS	DATE	CIRCUIT ASSEMBLY CORP. 6 AURTY SUITE 150, IRVINE, CALIFORNIA 92618 ACCESSORY - SOLAR, AESL SERIES DUST COVER (CA-AESL/DC-X-X) "RoHS"								
	DRAWN CUONG PHAM	2-11-19									
DIMENSIONS IN BRACKET [X.XX] ARE IN INCHES. TOLERANCES ARE: DECIMALS ANGLES XXX ±.010 °3' XXX ±.005	CHECKED TERRILANG	2-11-19	<table border="1"> <tr> <th>SIZE</th> <th>CODE IDENT NO.</th> <th>DRAWING NO.</th> <th>REV.</th> </tr> <tr> <td>C</td> <td>52072</td> <td>630053</td> <td>E</td> </tr> </table>	SIZE	CODE IDENT NO.	DRAWING NO.	REV.	C	52072	630053	E
	SIZE	CODE IDENT NO.	DRAWING NO.	REV.							
C	52072	630053	E								
DO NOT SCALE DRAWING	SCALE: 4:1		SHEET 1 OF 1								

4

3

2

1