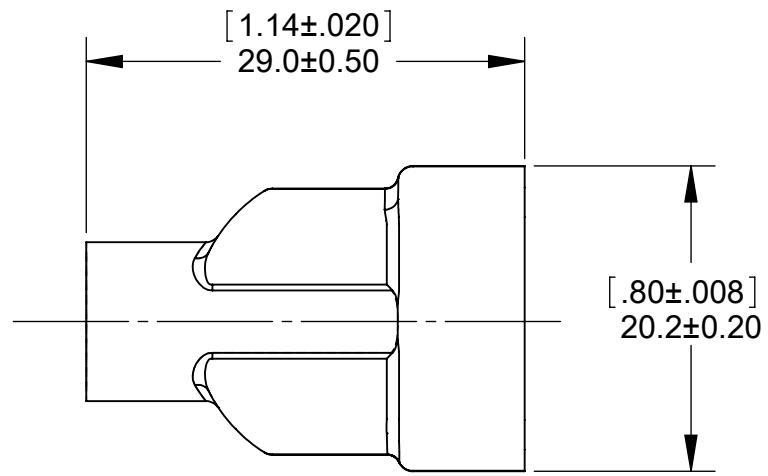


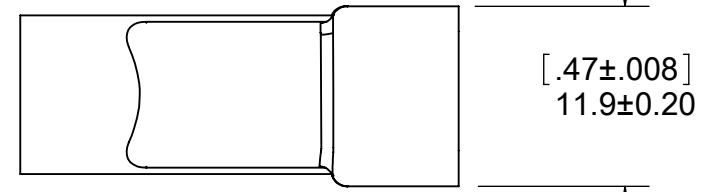
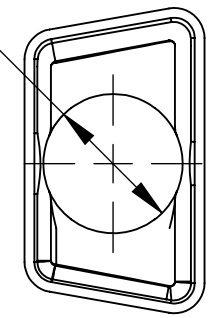
PART NO. CA-09DMS-XXX

REVISIONS

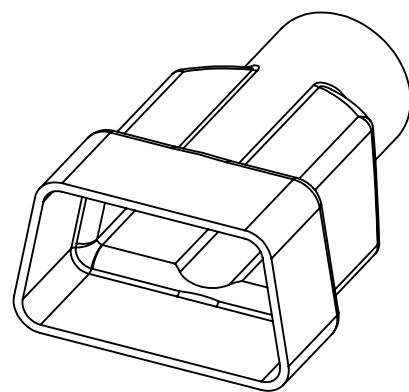
LTR	DESCRIPTION	DATE	APPROVED
A	INITIAL RELEASE SEE DO 4439	N.T.	4-9-01 L.F.
B	SEE DO 4550	N.T.	7-5-01 L.F.
C	SEE DO 7057	C.P.	2-8-11 L.F.
D	SEE DO 7521	C.P.	4-19-19 T.L.
E	SEE DO 7612	C.P.	4-14-21 T.L.



∅ DIM 'A'
(SEE TABULATION)



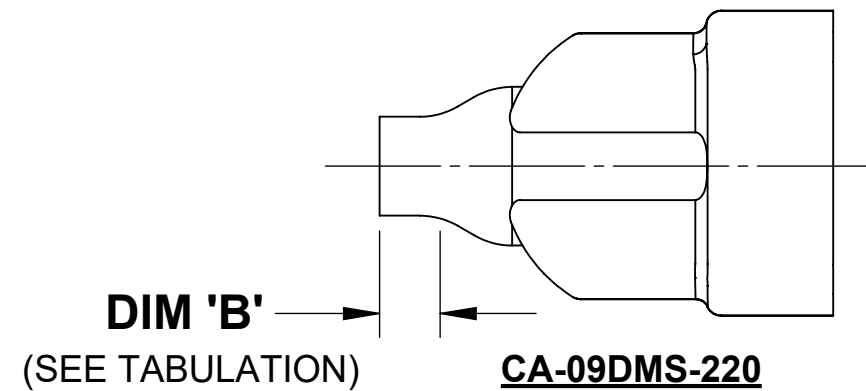
CA-09DMS-374



TABULATION		
ITEM	DIM. 'A' ± 0.3 [.012]	DIM. 'B' ± 0.5 [.020]
-220	5.5 [.220]	4.0 [.16]
-374	9.0 [.354]	0

- 3. MEETS THE REQUIREMENTS OF THE EUROPEAN PARLIAMENT AND THE RESTRICTION OF THE USE OF CERTAIN HAZARDOUS SUBSTANCES IN ELECTRICAL AND ELECTRONIC EQUIPMENT. (RoHS)
- 2. PLATING: TIN OVER NICKEL
- 1. MATERIAL: STEEL.

NOTES: UNLESS OTHERWISE SPECIFIED



Dimensions are in millimeters, Tolerances are:	APPROVALS	DATE
Decimals Angles	DRAWN	
.X ± .25 ± 3°	NANCY TUNG	4-9-01
.XX ± .13	CHECKED	
Dimensions in brackets [x.xx] are in inches, Tolerances are:	LEROY FONG	4-9-01
Decimals Angles	THE INFORMATION AND DESIGN DISCLOSED HEREIN WAS ORIGINATED BY AND IS THE PROPERTY OF CIRCUIT ASSEMBLY CORPORATION. CIRCUIT ASSEMBLY CORPORATION RESERVES ALL PATENT, PROPRIETARY, DESIGN, MANUFACTURING, REPRODUCTION, USE AND SALES RIGHTS THERE TO, AND TO ANY ARTICLE DISCLOSED HEREIN EXCEPT TO THE EXTENT RIGHTS ARE EXPRESSLY GRANTED TO OTHERS. THE FOREGOING DOES NOT APPLY TO VENDOR PROPRIETARY RIGHTS.	
.XX ± .010 ± 3°		
.XXX ± .005		
DO NOT SCALE DRAWING		

CA **CIRCUIT ASSEMBLY CORP.**
6 AUTRY SUITE 150, IRVINE, CALIFORNIA 92618

**ACCESSORY - D-SUB SERIES
SHIELD, D-SUB, 9 POSITION, CA-09DMS-XXX
"RoHS"**

SIZE	CODE IDENT NO.	DRAWING NO.	REV.
B	52072	630012	E

SCALE: 2 : 1 SHEET 1 OF 1