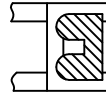
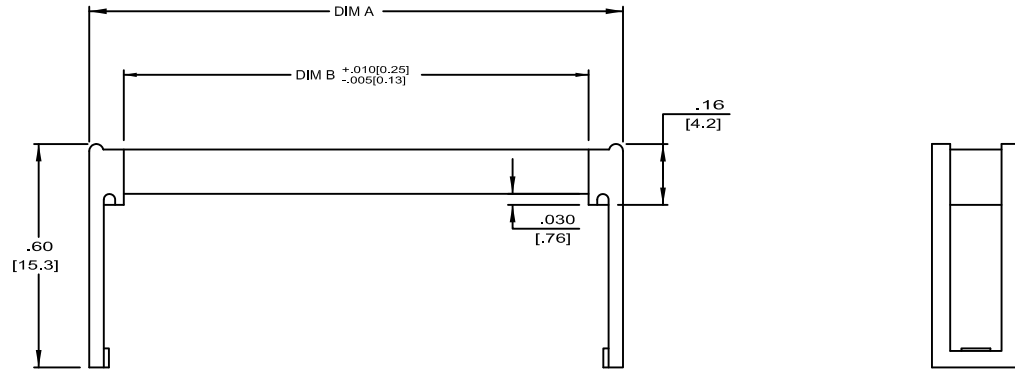
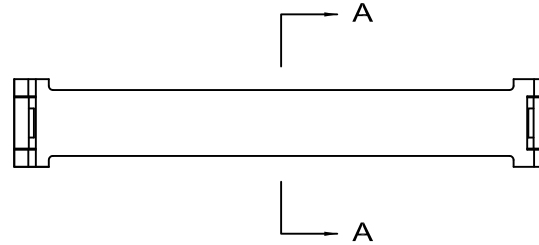


PART NO. CA-SRXXNFS

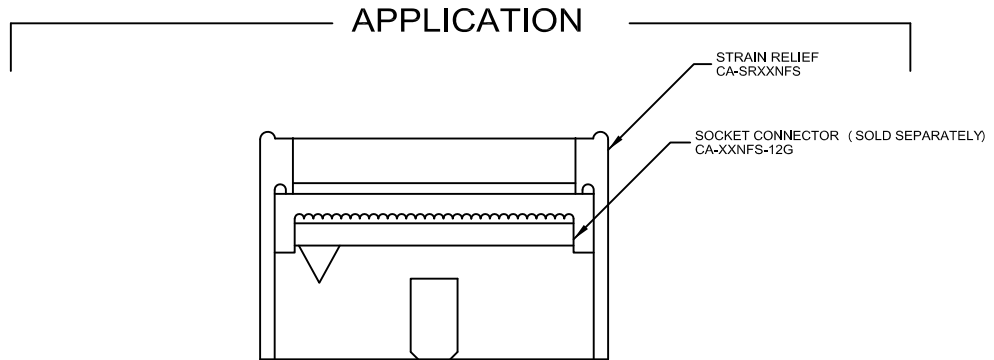
REVISIONS			
LTR	DESCRIPTION	DATE	APPROVED
A	INITIAL RELEASE SEE DO 4231	C.P. 11-2-00	A.J.
B	SEE DO 6890	C.P. 09-25-09	I.M.
C	SEE DO 7023	C.P. 10-07-10	A.J.
D	SEE DO 7604	C.P. 02-24-21	T.L.



SECTION A-A



TABULATION BLOCK				
DASH NO.	DIM A		DIM B	
	IN	MM	IN	MM
-10	.440	[11.18]	.258	[6.55]
-16	.590	[14.99]	.408	[10.36]
-20	.690	[17.53]	.508	[12.90]
-26	.840	[21.34]	.658	[16.71]
-34	1.040	[26.42]	.858	[21.79]
-40	1.190	[30.23]	1.008	[25.60]
-50	1.440	[36.58]	1.258	[31.95]
-60	1.690	[42.93]	1.508	[38.30]
-64	1.790	[45.47]	1.608	[40.84]
-68	1.890	[48.00]	1.708	[43.38]
-80	2.190	[55.63]	2.008	[51.00]
-100	2.690	[68.33]	2.508	[63.70]



- 4. PARTS SHALL BE: "MOISTURE SENSITIVITY LEVEL #1".
  - 3. MEETS THE REQUIREMENTS OF THE EUROPEAN PARLIAMENT AND THE RESTRICTION OF THE USE OF CERTAIN HAZARDOUS SUBSTANCES IN ELECTRICAL AND ELECTRONIC EQUIPMENT. (RoHS)
  - 2. INTERPRET DIMENSIONS AND TOLERANCES PER ASME Y14.5M-1994
  - 1. MATERIAL: POLYCARBONATE, CUSTOM COLOR: BLUE
- NOTES: UNLESS OTHERWISE SPECIFIED

DIMENSIONS ARE IN INCHES TOLERANCES ARE:		APPROVALS	DATE
DECIMALS	ANGLES	DRAWN	11/1/00
.XX ± .010	± 3°	CUONG.P	
.XXX ± .005		CHECKED	11/2/00
		A.JOCHEN	
DIMENSIONS IN BRACKETS [XXX] ARE IN MILLIMETERS TOLERANCES ARE:		THE INFORMATION AND DESIGN DISCLOSED HEREIN WAS ORIGINATED BY AND IS THE PROPERTY OF CIRCUIT ASSEMBLY CORPORATION. CIRCUIT ASSEMBLY CORPORATION RESERVES ALL PATENT, PROPRIETARY, DESIGN, MANUFACTURING, REPRODUCTION, USE AND SALES RIGHTS THERE TO, AND TO ANY ARTICLE DISCLOSED HEREIN EXCEPT TO THE EXTENT RIGHTS ARE EXPRESSLY GRANTED TO OTHERS. THE FOREGOING DOES NOT APPLY TO VENDOR PROPRIETARY RIGHTS.	
DECIMALS	ANGLES	DO NOT SCALE DRAWING	
.X ± .25	± 3°		
.XX .13			

<b>CIRCUIT ASSEMBLY CORP.</b> 6 AULTRY SUITE 150, IRVINE, CALIFORNIA 92618			
<b>STRAIN RELIEF - NFS SERIES</b> <b>CA-SRXXNFS, NANOFLEX</b> <b>"RoHS"</b>			
SIZE	CODE IDENT NO.	DRAWING NO.	REV.
<b>C</b>	52072	<b>630005</b>	<b>D</b>
SCALE: 4 : 1		SHEET 1 OF 1	