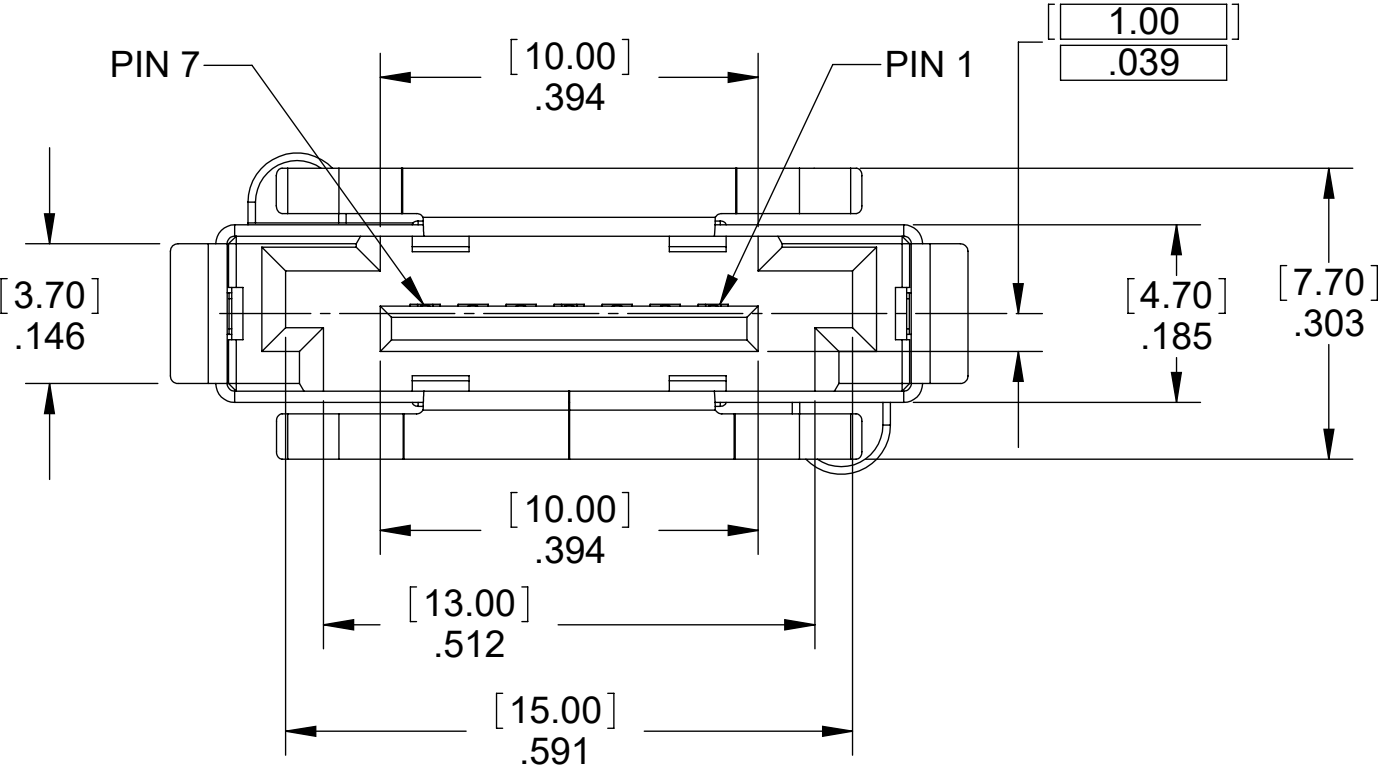
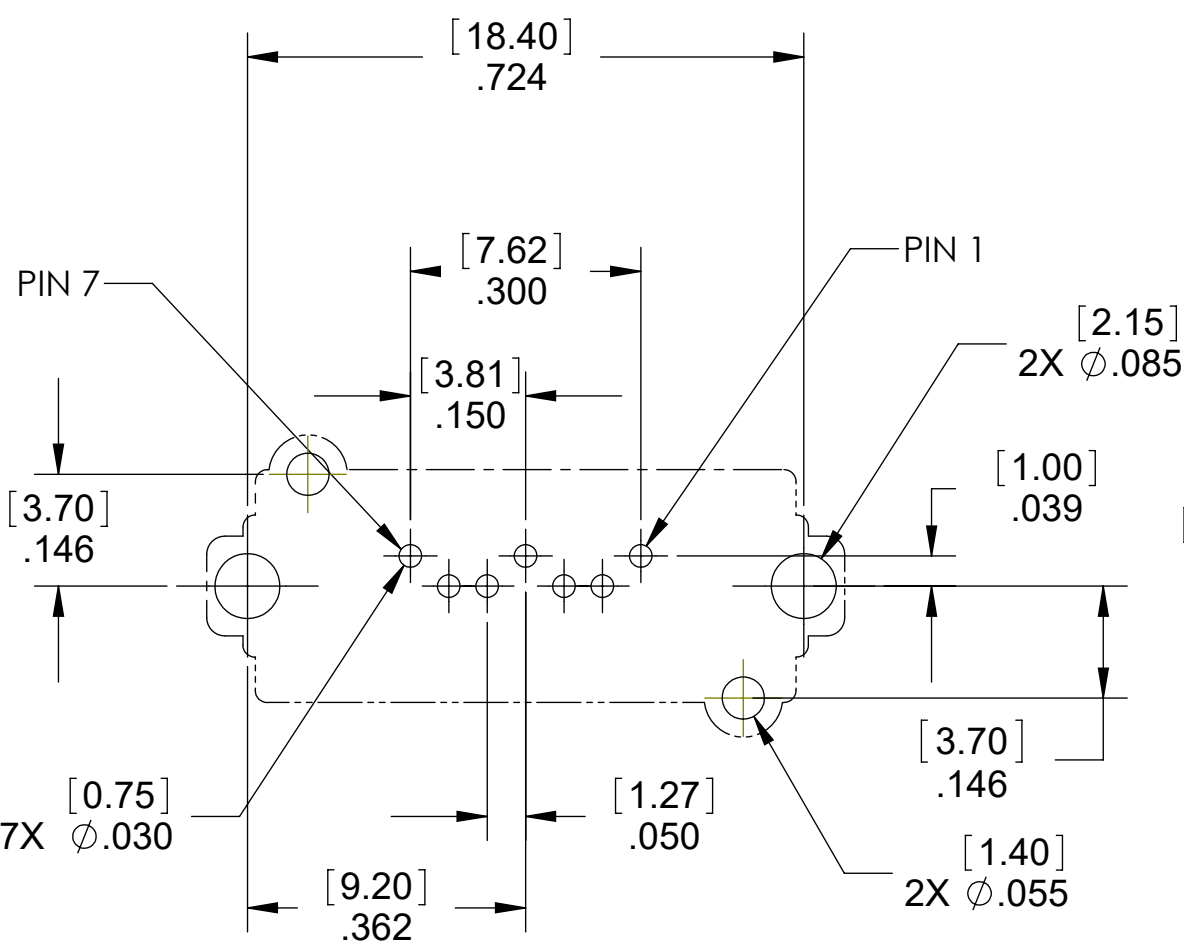
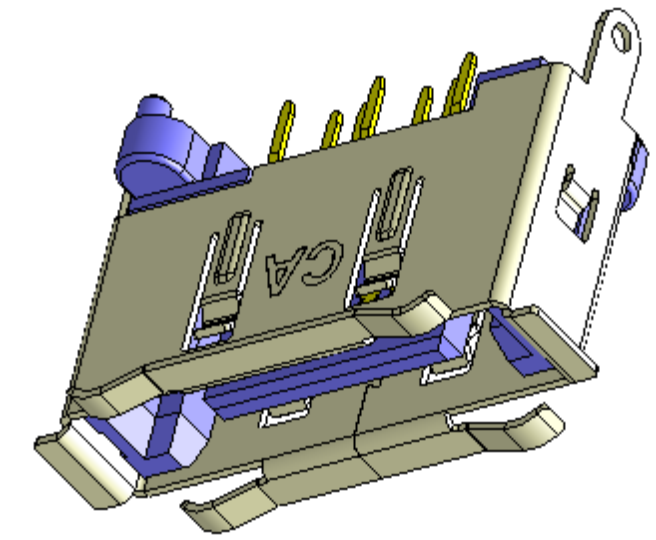
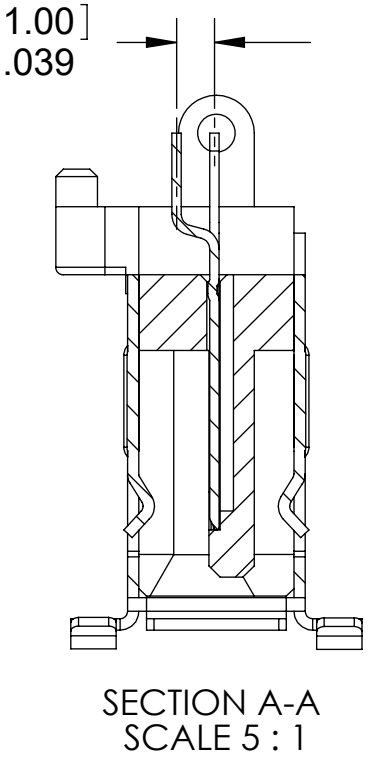
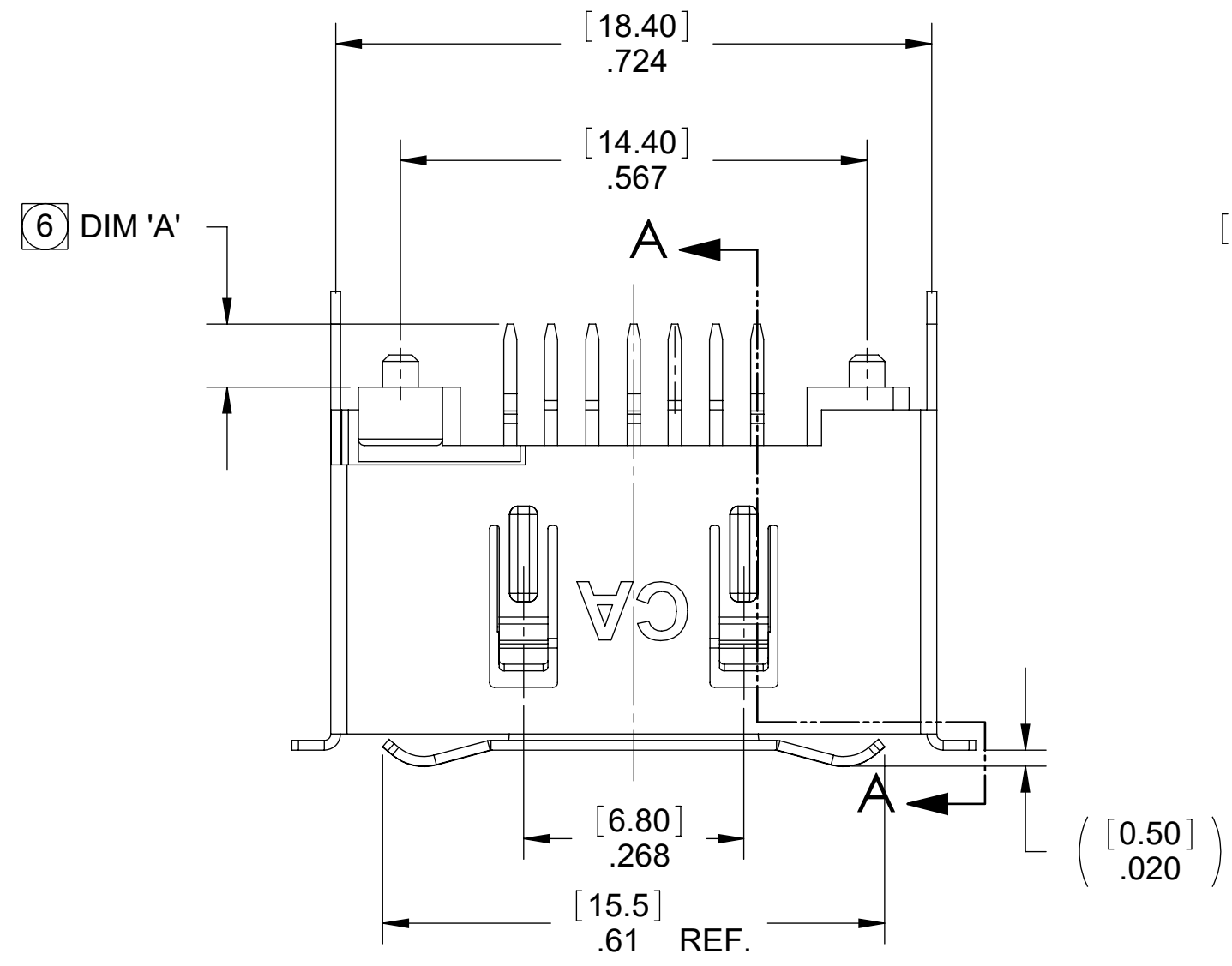
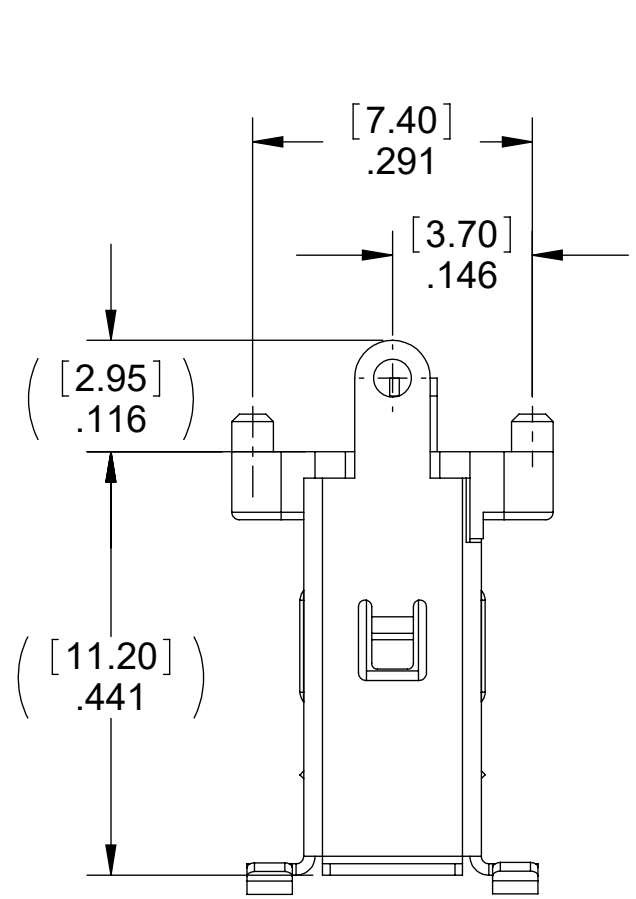


PART NO. CA-07ESAP-X-X

REVISIONS				
LTR	DESCRIPTION	DATE	APPROVED	
A	INITIAL RELEASE SEE DO 5907	C.P.	10-18-05	L.F.
B	SEE DO 6444	C.P.	06-01-07	L.F.
C	SEE DO 6680	C.P.	06-24-08	L.F.
D	SEE DO 7007	C.P.	08-11-10	L.F.
E	SEE DO 7514	C.P.	03-26-19	T.L.
F	SEE DO 7613	C.P.	04-26-21	T.L.



### ORDERING NOMENCLATURE CA - 07 ESAP - X - X

NUMBER OF POSITIONS

EXTERNAL SATA PLUG - VERTICAL

PLATING

A = CONTACT AREA .00001[.000025] GOLD  
 C = CONTACT AREA .000015[.000381] GOLD  
 F = CONTACT AREA .000030[.000762] GOLD

MOUNTING 5

1 = THROUGH HOLE, PCB THICKNESS 1.6MM  
 3 = THROUGH HOLE, PCB THICKNESS 2.4MM

#### 6 TABULATION:

PART NO.	TAIL LENGTH (DIM 'A')
CA-07ESAP-X-1	.079±.006 [2.0±.15]
CA-07ESAP-X-3	.161±.006 [4.1±.15]

#### 5 RECOMMENDED PCB LAYOUT COMPONENT SIDE SHOWN

4. MEETS THE REQUIREMENTS OF THE EUROPEAN PARLIAMENT AND THE RESTRICTION OF THE USE OF CERTAIN HAZARDOUS SUBSTANCES IN ELECTRICAL AND ELECTRONIC EQUIPMENT. (RoHS)

3. PACKAGING METHOD: TRAY

2. MATERIAL  
 BASE: HIGH TEMPERATURE THERMOPLASTIC, COLOR: BLACK, UL94V-0  
 CONTACT: COPPER ALLOY  
 SHELL: PHOSPHOR BRONZE, C5191-H, T= 0.30±0.01mm  
 FINISH  
 CONTACT AREA: C = .000015 [.000381] GOLD (SEE ORDERING FOR MORE OPTIONS)  
 SOLDER TAIL: .000100 [.00254] MIN. TIN  
 UNDERPLATE: .000075 [.00191] MIN. NICKEL ALL OVER  
 SHELL: .000100 [.00254] ~ .000150 [.00381] PURE TIN,  
 UNDER PLATED: .000075 [.000191] ~ .000150 [.00381] NICKEL

1. INTERPRET DIMENSIONS AND TOLERANCES PER ASME Y14.5M-1994

NOTES: UNLESS OTHERWISE SPECIFIED

DIMENSIONS ARE IN INCHES TOLERANCES ARE:		APPROVALS	DATE
DECIMALS	ANGLES	DRAWN CUONG P.	10-17-05
.XX ±.010	±3°	CHECKED LEROY FONG	10-18-05
.XXX ±.005			
DIMENSIONS IN BRACKETS [X.XX] ARE IN MILLIMETERS TOLERANCES ARE:		THE INFORMATION AND DESIGN DISCLOSED HEREIN WAS ORIGINATED BY AND IS THE PROPERTY OF CIRCUIT ASSEMBLY CORPORATION. CIRCUIT ASSEMBLY CORPORATION RESERVES ALL PATENT, PROPRIETARY, DESIGN, MANUFACTURING, REPRODUCTION, USE AND SALES RIGHTS THERETO, AND TO ANY ARTICLE DISCLOSED HEREIN EXCEPT TO THE EXTENT RIGHTS ARE EXPRESSLY GRANTED TO OTHERS. THE FOREGOING DOES NOT APPLY TO VENDOR PROPRIETARY RIGHTS.	
DECIMALS	ANGLES		
.X ±.25	±3°		
.XX ±.13			
DO NOT SCALE DRAWING			

**CA CIRCUIT ASSEMBLY CORP.**  
 6 AUTRY SUITE 150, IRVINE, CALIFORNIA 92618

**CONNECTOR ASSEMBLY-EXTERNAL  
SATA SERIES, CA-07ESAP-X-X, PLUG  
"RoHS"**

SIZE	CODE IDENT NO.	DRAWING NO.	REV.
C	52072	<b>620496</b>	<b>F</b>

SCALE: 4:1 SHEET 1 OF 1