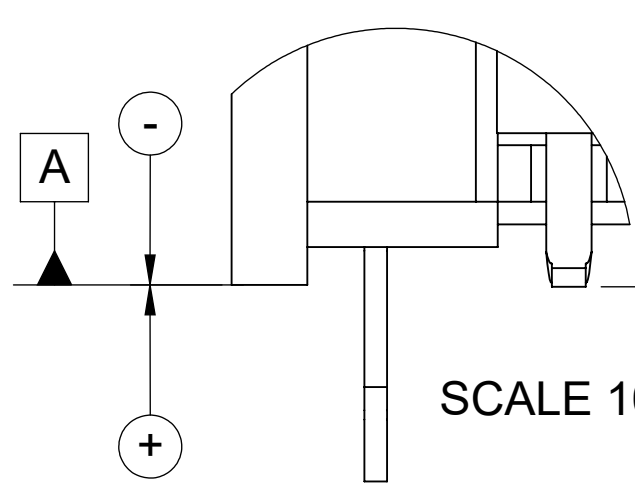
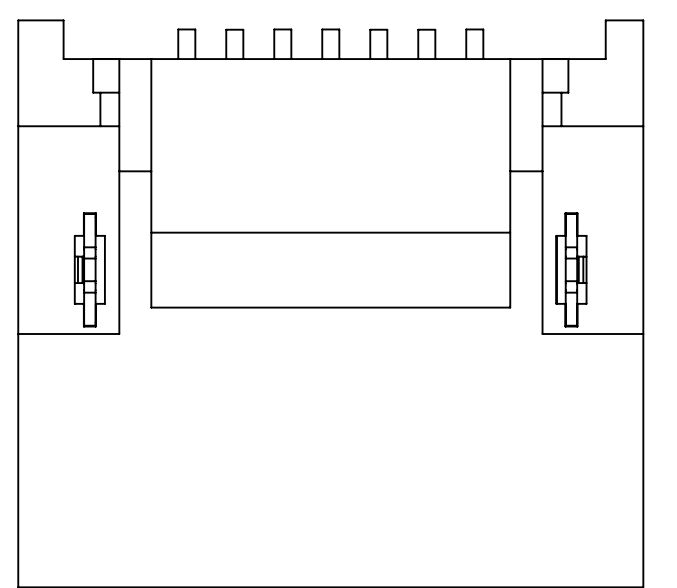


PART NO. CA-D14SAHPR-X-0-5T

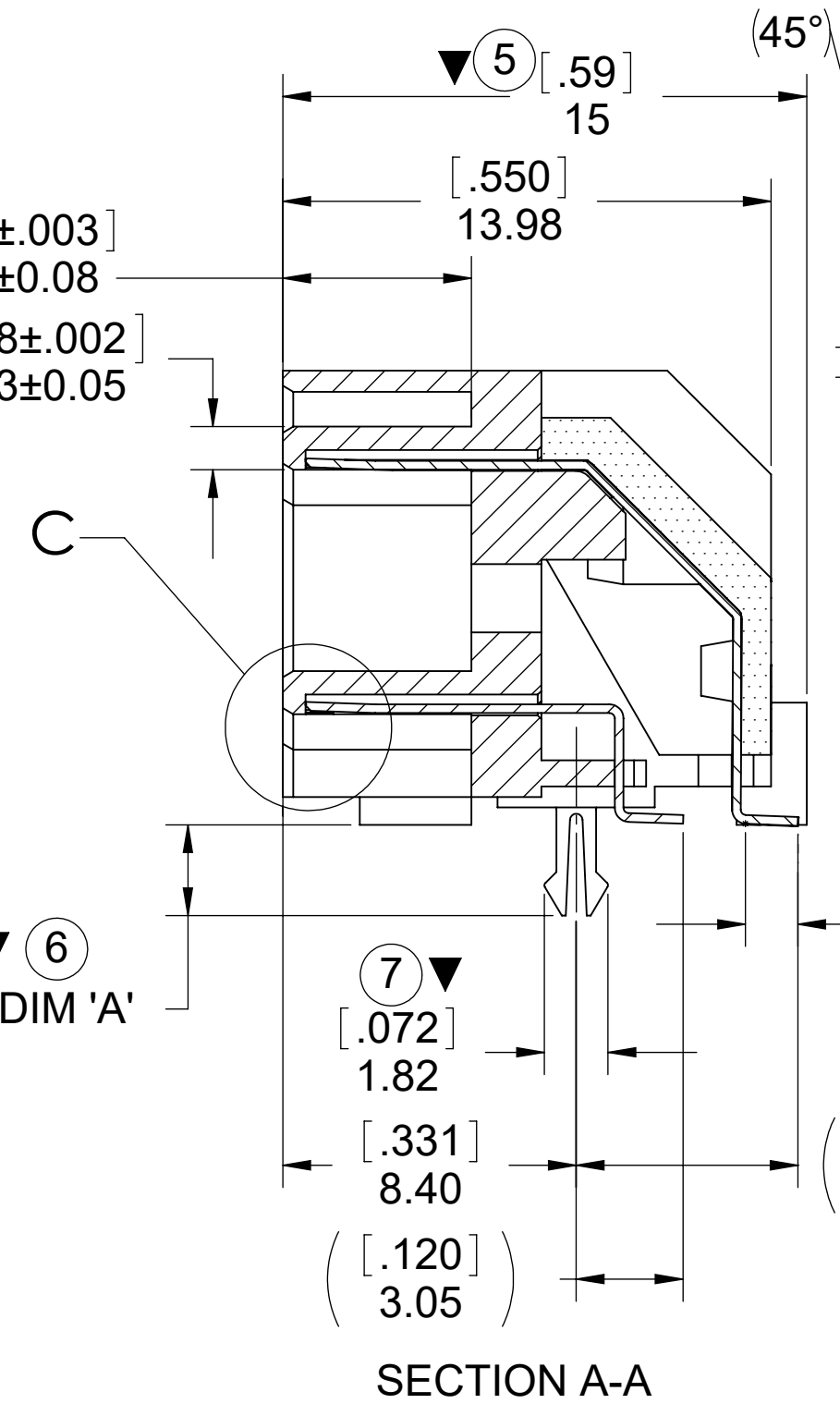
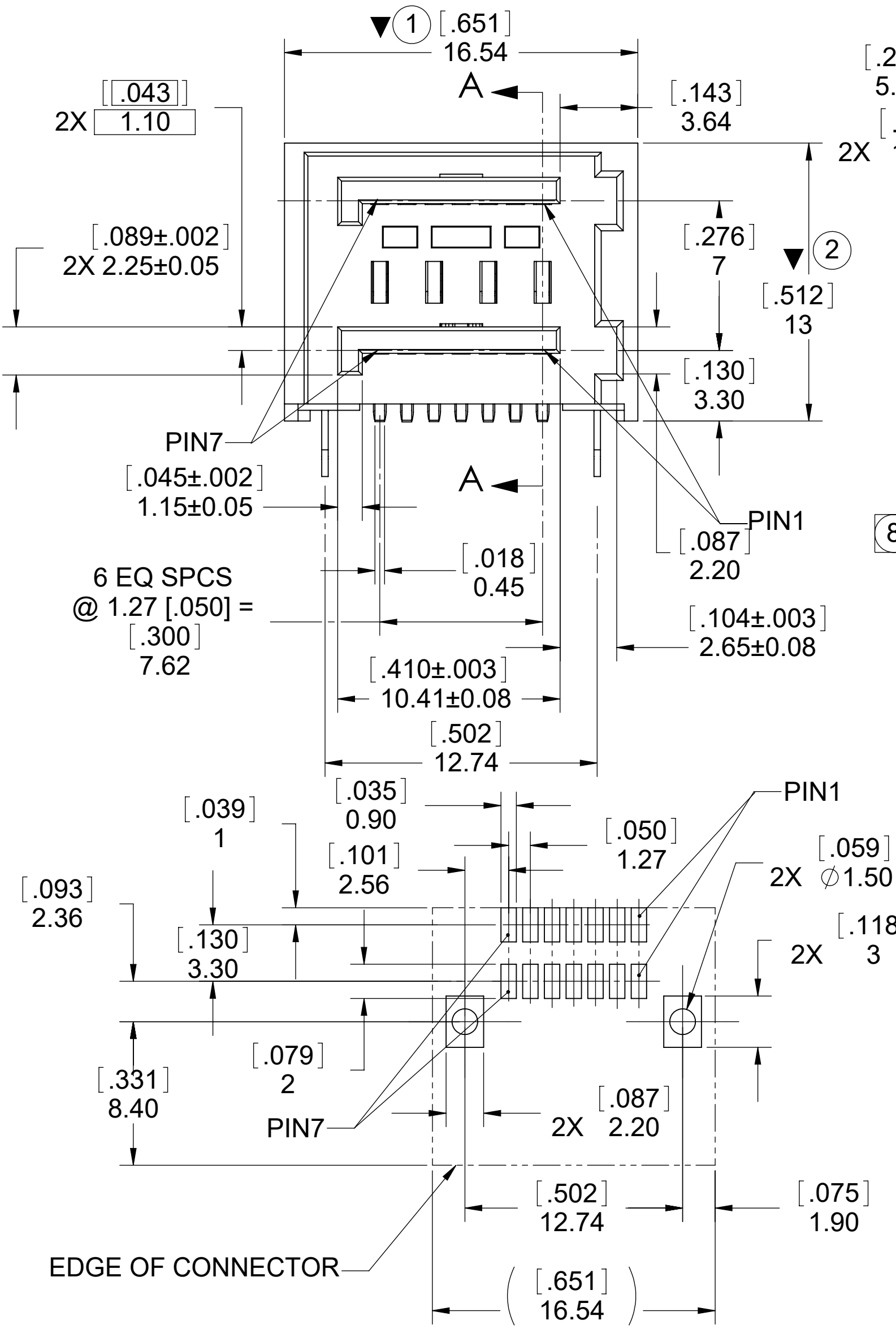
REVISIONS				
LTR	DESCRIPTION	CP	DATE	APPROVED
A	INITIAL RELEASE SEE DO 5930	CP	11-08-05	A.J.
B	SEE DO 5937	CP	11-14-05	A.J.
C	SEE DO 5944	CP	11-23-05	A.J.
D	SEE DO 5963	CP	12-22-05	A.J.
E	SEE DO 6009	CP	02-22-06	I.M.
F	SEE DO 6182	CP	08-24-06	A.J.
G	SEE DO 7199	CP	08-01-12	I.M.
H	SEE DO 7280	CP	07-25-14	I.M.
J	SEE DO 7331	CP	06-02-15	I.M.
K	SEE DO 7551	CP	02-14-20	T.L.
L	SEE DO 7590	CP	09-18-20	T.C.
M	SEE DO 7591	CP	10-20-20	T.C.
N	SEE DO 7597	CP	01-07-21	T.C.



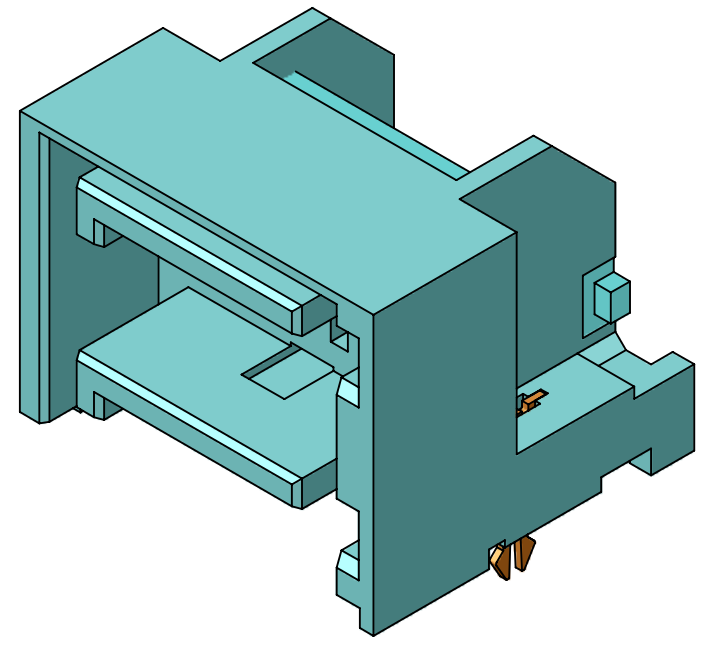
CO-PLANAR CONTACT AND BASE SHALL BE +0.10 [.004] / -0.05 [-.002]

0.1 [.004] A

SCALE 10 : 1



SECTION A-A



RECOMMENDED P.C. BOARD LAYOUT COMPONENT SIDE SHOWN

ORDERING NOMENCLATURE :

CA - D14SAHPR-X-0-5T

DUAL STACK

NUMBER OF CONTACT POSITION

SERIAL ATA PLUG RT. ANGLE SERIES 2

PLATING

C = CONTACT AREA : .00015 [.00038] GOLD
 SOLDER TAIL AREA : .00150 [.00381] TIN
 UNDERPLATE : .00075 [.00191] NICKEL

CONSULT FACTORY FOR OTHER PLATING OPTIONS.

SURFACE MOUNTING

PCB RETENTION OPTION :

0 = DIM 'A': 2.60[0.102], PCB THICKNESS: 1.45 ~ 1.70 [.057 ~ .067]
 1 = DIM 'A': 3.36[0.132], PCB THICKNESS: 2.21 ~ 2.46 [.087 ~ .097]

PROFILE

5 = REMOVEABLE COVER & CLOSED TOP

PACKAGING

T = TAPE AND REEL

ALL CONTACTS:

.003
 .001
 0.07
 0.03

DETAIL C
 SCALE 10 : 1

PCB RETENTION OPTION (SEE ORDERING NOMENCLATURE)

7. MARK "▼" DIMENSION MUST BE CONTROLLED.

MARK "X" IS DIMENSION No.

MARK "CPK" DIMENSION MUST BE CONTROLLED BY CPK.

6. REPLACES CA-D14SAHPR-X-0XX (CA DRAWING # 620464)

5. SPECIFICATIONS:

MECHANICAL

- UNMATING FORCE : 15g MIN. PER CONTACT
- DURABILITY : 500 CYCLES MINIMUM
- CONTACT MATERIAL : BRASS
- INSULATOR MATERIAL : HIGH TEMPERATURE THERMOPLASTIC BLACK, UL94V-0
- CLIP MATERIAL : BRASS (C2680-H), THICKNESS: 25±0.01MM
- CONTACT PLATING : SEE ORDERING NOMENCLATURE
- CLIP PLATING : 0.0038 [150uin] TIN OVER 0.0013 [50uin] NICKEL

ENVIRONMENTAL

- OPERATION TEMPERATURE RANGE : -40°C TO 105°C

ELECTRICAL

- VOLTAGE RATING : 30V DC MAX.
- DIELECTRIC WITHSTANDING VOLTAGE : 500V DC FOR 1 MIN
- INSULATOR RESISTANCE : >1000 MEGOHMS @ 250 Vrms
- CONTACT RESISTANCE : <35 MILLIOHMS
- CONTACT RESISTANCE : <15 MILLIOHMS CHANGE AFTER INITIAL CYCLE
- CURRENT RATING : 2 AMPS

4. I.R. OR VAPOR PHASE SOLDERING COMPATIBLE

3. RECOMMENDED PCB THICKNESS 1.45 - 1.70 [.057-.067]

2. MEETS PERFORMANCE REQUIREMENTS OF THE SERIAL ATA2 SPECIFICATION.

1. MEETS THE REQUIREMENTS OF THE EUROPEAN PARLIAMENT AND THE RESTRICTION OF THE USE OF CERTAIN HAZARDOUS SUBSTANCES IN ELECTRICAL AND ELECTRONIC EQUIPMENT (RoHS).

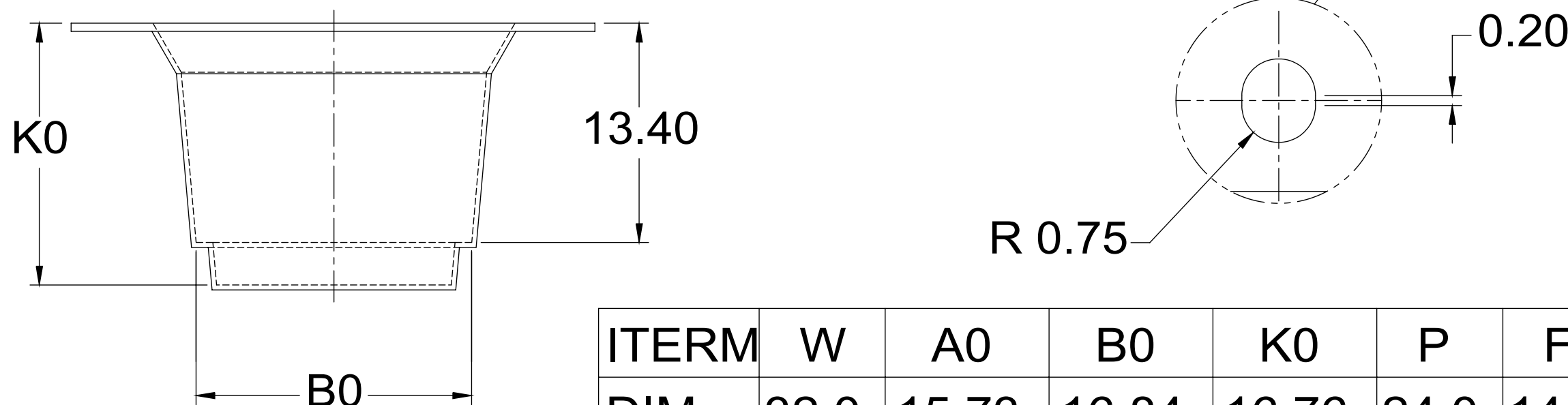
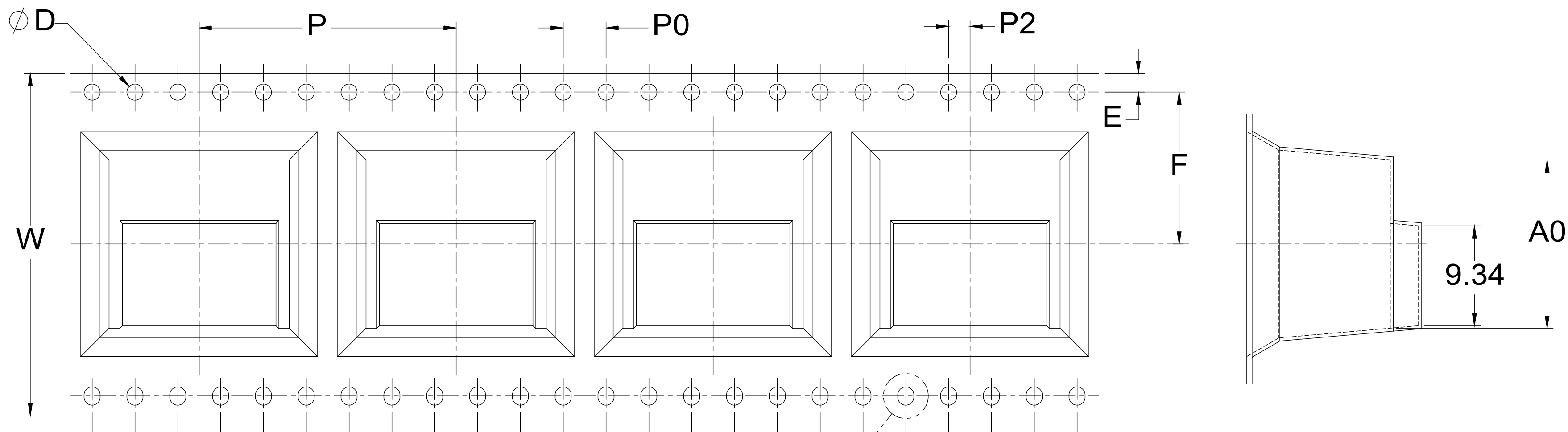
NOTES : UNLESS OTHERWISE SPECIFIED

DIMENSIONS ARE IN MM TOLERANCES ARE:	
DECIMALS	ANGLES
.X ±.25	±1°
.XX ±.15	
DIMENSIONS IN BRACKETS [X.XXX] ARE IN INCHES TOLERANCES ARE:	
DECIMALS	ANGLES
.XX ± 0.010	±1°
.XXX ± 0.006	
DO NOT SCALE DRAWING	

APPROVALS		DATE
DRAWN	CUONG P.	7-29-05
CHECKED	A.JOCHEN	7-29-05
THE INFORMATION AND DESIGN DISCLOSED HEREIN WAS ORIGINATED BY AND IS THE PROPERTY OF CIRCUIT ASSEMBLY CORPORATION. CIRCUIT ASSEMBLY CORPORATION RESERVES ALL PATENT, PROPRIETARY, DESIGN, MANUFACTURING, REPRODUCTION, USE AND SALES RIGHTS THERETO, AND TO ANY ARTICLE DISCLOSED HEREIN EXCEPT TO THE EXTENT RIGHTS ARE EXPRESSLY GRANTED TO OTHERS. THE FOREGOING DOES NOT APPLY TO VENDOR PROPRIETARY RIGHTS.		

CA CIRCUIT ASSEMBLY CORP.			
6 AUTRY, SUITE #150, IRVINE, CALIFORNIA 92618			
CONNECTOR ASSEMBLY- SAHPR SERIES DUAL STACK, PLUG, RT. ANGLE "RoHS"			
SIZE	CODE IDENT NO.	DRAWING NO.	REV.
C	52072	620494	N
SCALE: 5:1		SHEET 1 OF 2	

REVISIONS			
LTR	DESCRIPTION	DATE	APPROVED
	SEE SHEET 1 OF 2		



ITERM	W	A0	B0	K0	P	F	E	D	P0	P2	T
DIM.	32.0	15.73	16.84	16.76	24.0	14.2	1.75	1.50	4.00	2.00	0.50
TOL.	+0.30 -0.30	+0.15 -0.15	+0.15 -0.15	+0.10 -0.10	+0.10 -0.10	+0.10 -0.10	+0.10 -0.10	+0.10 -0.00	+0.10 -0.10	+0.15 -0.15	+0.05 -0.05

- 10 sprocket hole pitch cumulative tolerance ± 0.20 mm.
- Carrier camber not to exceed 1mm in 250mm.
- A0 and B0 measured on a plane 0.3mm above the bottom of the pocket.
- K0 measured from a plane on the inside bottom of the pocket to the top surface of the carrier.
- All dimension meet EIA-481-C requirements.
- Material: Transparent conductive Polystyrene.
- Thickness: $0.5\text{mm} \pm 0.05\text{mm}$.
- Packing length per 15" reel: 6.2 meters.
- Components loader per 15" reel: 200 Pcs.
- Not to dimension angle is 5° .

DIMENSIONS ARE IN MM TOLERANCES ARE: DECIMALS .X ± 0.25 .XX ± 0.15 ANGLES $\pm 1^\circ$	APPROVALS	DATE	CIRCUIT ASSEMBLY CORP. 6 AUTRY SUITE #150, IRVINE, CALIFORNIA 92618
	DRAWN CUONG P.	7-29-05	
DIMENSIONS IN BRACKETS [X.XXX] ARE IN INCHES TOLERANCES ARE: DECIMALS .XX ± 0.010 .XXX ± 0.006 ANGLES $\pm 1^\circ$	CHECKED A.JOCHEN	7-29-05	CONNECTOR ASSEMBLY- SAHPR SERIES DUAL STACK, PLUG, RT. ANGLE "RoHS"
	THE INFORMATION AND DESIGN DISCLOSED HEREIN WAS ORIGINATED BY AND IS THE PROPERTY OF CIRCUIT ASSEMBLY CORPORATION. CIRCUIT ASSEMBLY CORPORATION RESERVES ALL PATENT, PROPRIETARY, DESIGN, MANUFACTURING, REPRODUCTION, USE AND SALES RIGHTS THERETO, AND TO ANY ARTICLE DISCLOSED HEREIN EXCEPT TO THE EXTENT RIGHTS ARE EXPRESSLY GRANTED TO OTHERS. THE FOREGOING DOES NOT APPLY TO VENDOR PROPRIETARY RIGHTS.		
DO NOT SCALE DRAWING	SIZE C	CODE IDENT NO. 52072	DRAWING NO. 620494
	SCALE: 1:1		REV. N
			SHEET 2 OF 2