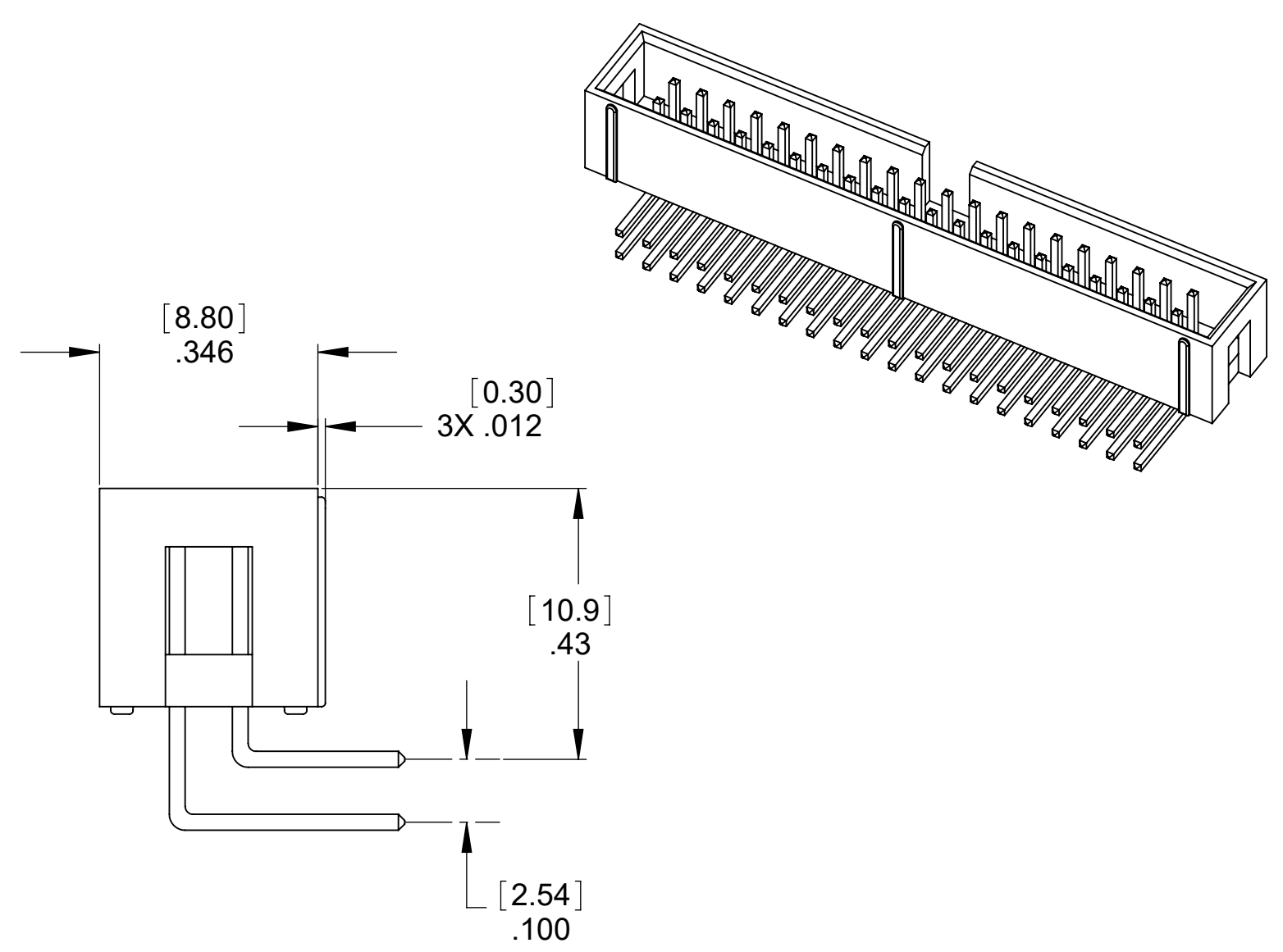
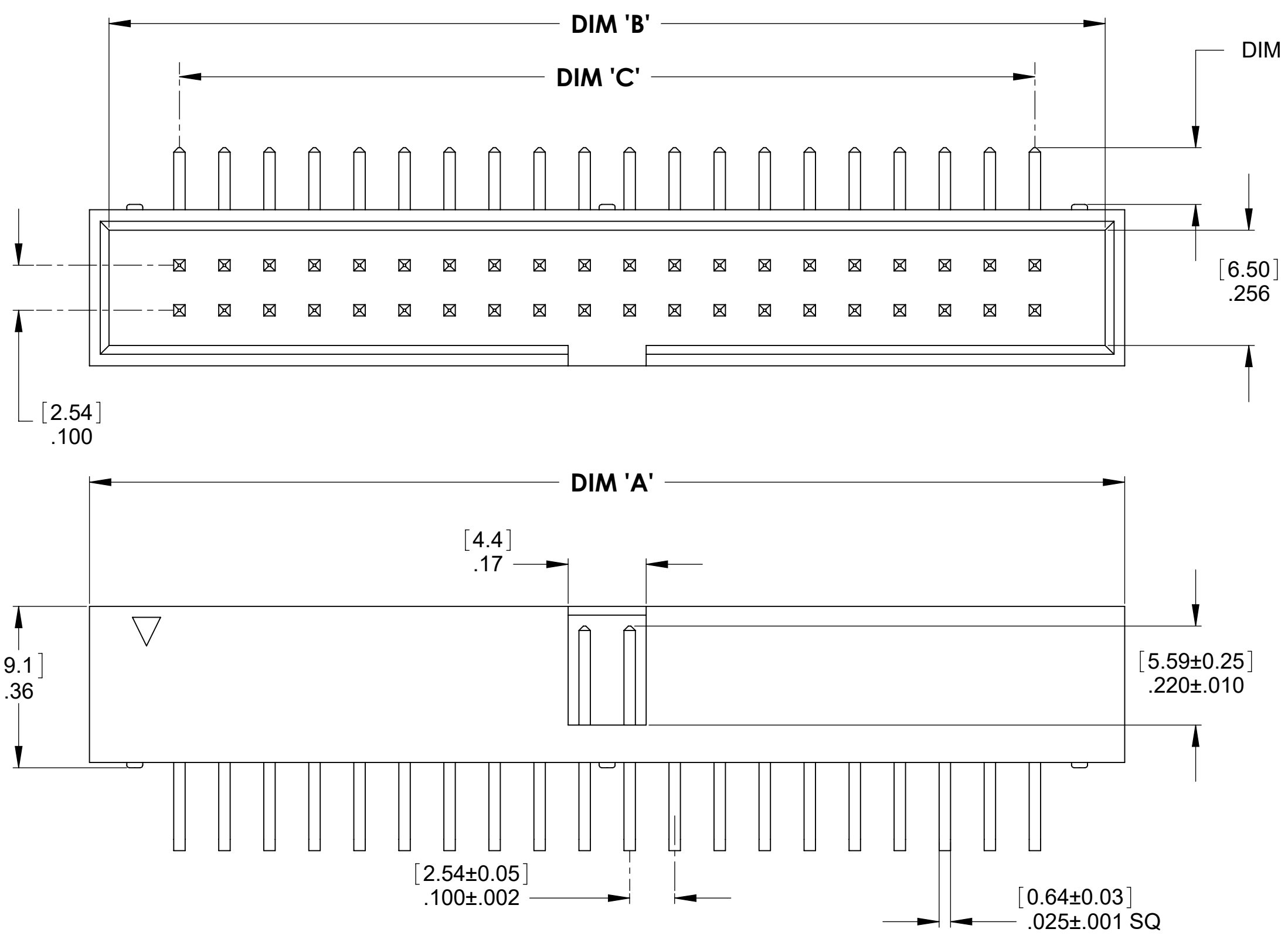


PART NO. CA-XXHLR2-XA

REVISIONS				
LTR	DESCRIPTION	DATE	APPROVED	
A	INITIAL RELEASE SEE DO 3934	C.L.W.	3-23-00	A.J.
B	SEE DO 6036	C.P.	3-16-06	I.M.
C	SEE DO 6954	C.P.	4-29-10	A.J.
D	SEE DO 7522	C.P.	4-30-19	T.L.
E	SEE DO 7594	C.P.	12-23-20	T.L.



# CA-XXHLR2-XA

NUMBER OF CONTACT POS \_\_\_\_\_

LOW PROFILE BOX HEADER RIGHT ANGLE

TAIL LENGTH (DIM 'D') \_\_\_\_\_

1 = .126 [3.20]  
3 = .065 [1.65]

PLATING \_\_\_\_\_

A = GOLD FLASH

TABULATION:

NO OF POSITION	DIM 'A'		DIM 'B'		DIM 'C'	
	IN	MM	IN	MM	IN	MM
8	0.699	17.76	0.613	15.56	0.300	7.62
10	0.799	20.30	0.713	18.10	0.400	10.16
12	0.899	22.84	0.813	20.64	0.500	12.70
14	0.999	25.38	0.913	23.18	0.600	15.24
16	1.099	27.92	1.013	25.72	0.700	17.78
20	1.299	33.00	1.213	30.80	0.900	22.86
24	1.499	38.08	1.413	35.88	1.100	27.94
26	1.599	40.62	1.513	38.42	1.200	30.48
30	1.799	45.70	1.713	43.50	1.400	35.56
34	1.999	50.78	1.913	48.58	1.600	40.64
40	2.299	58.40	2.213	56.20	1.900	48.26
44	2.499	63.48	2.413	61.28	2.100	53.34
50	2.799	71.10	2.713	68.90	2.400	60.96
60	3.299	83.80	3.213	81.60	2.900	73.66
64	3.499	88.88	3.420	86.88	3.100	78.74

2. MEETS THE REQUIREMENTS OF THE EUROPEAN PARLIAMENT AND THE RESTRICTION OF THE USE OF CERTAIN HAZARDOUS SUBSTANCES IN ELECTRICAL AND ELECTRONIC EQUIPMENT. (RoHS)

1. INSULATOR MATERIAL: GLASS FILLED THERMOPLASTIC, UL94 V-0, COLOR: BLACK  
CONTACT MATERIAL: COPPER ALLOY  
CONTACT PLATING: SEE ORDERING NOMENCLATURE

NOTES: UNLESS OTHERWISE SPECIFIED

DIMENSIONS ARE IN INCHES TOLERANCES ARE:	APPROVALS	DATE
DECIMALS .XX ±.010 .XXX ±.005	DRAWN C.L.W.	3-23-00
ANGLES ±3°	CHECKED A. JOCHEN	3-23-00
DIMENSIONS IN BRACKETS [X.XX] ARE IN MILLIMETERS TOLERANCES ARE:	THE INFORMATION AND DESIGN DISCLOSED HEREIN WAS ORIGINATED BY AND IS THE PROPERTY OF CIRCUIT ASSEMBLY CORPORATION. CIRCUIT ASSEMBLY CORPORATION RESERVES ALL PATENT, PROPRIETARY, DESIGN, MANUFACTURING, REPRODUCTION, USE AND SALES RIGHTS THERETO, AND TO ANY ARTICLE DISCLOSED HEREIN EXCEPT TO THE EXTENT RIGHTS ARE EXPRESSLY GRANTED TO OTHERS. THE FOREGOING DOES NOT APPLY TO VENDOR PROPRIETARY RIGHTS.	
DECIMALS .X ±.25 .XX ±.13	DO NOT SCALE DRAWING	

<b>CA CIRCUIT ASSEMBLY CORP.</b> 6 AUTRY SUIT 150, IRVINE, CALIFORNIA 92618			
<b>CONNECTOR ASSEMBLY-HLR2 SERIES CA-XXHLR2-XA "RoHS"</b>			
SIZE	CODE IDENT NO.	DRAWING NO.	REV.
C	52072	<b>620412</b>	<b>E</b>
SCALE: 1:1		SHEET 1 OF 1	