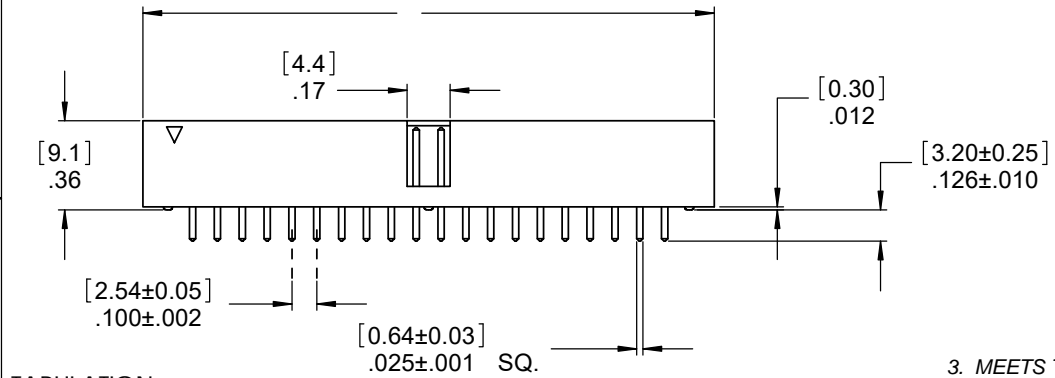
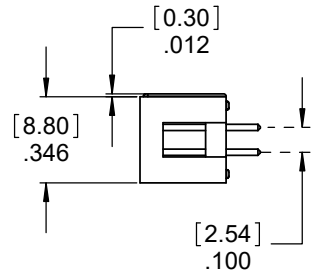
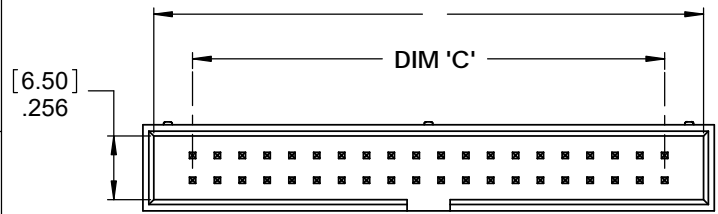


PART NO. CA-XXHL2-1X

REVISIONS

LTR	DESCRIPTION	DATE	APPROVED
A	INITIAL RELEASE SEE DO 3933	C.L.W. 3-23-00	A.J.
B	SEE DO 4010	C.L.W. 5-12-00	A.J.
C	SEE DO 5771	C.P. 5-12-05	A.J.
D	SEE DO 6036	C.P. 3-16-06	I.M.
E	SEE DO 6292	C.P. 12-01-06	L.F.
F	SEE DO 7524	C.P. 05-28-19	T.L.
G	SEE DO 7632	C.P. 10-11-21	T.C.



ORDERING NOMENCLATURE:

CA-XXHL2-1X

NUMBER OF CONTACT POS _____
 LOW PROFILE BOX HEADER _____
 TAIL LENGTH _____
 1 = .126 [3.20]
 PLATING _____
 A = GOLD FLASH
 C = .000015 [.00038] GOLD
 F = .000030 [.00076] GOLD

TABULATION:

POSITION	DIM 'A'		DIM 'B'		DIM 'C'	
	IN	MM	IN	MM	IN	MM
08	0.699	17.76	0.613	15.56	0.300	7.62
10	0.799	20.30	0.713	18.10	0.400	10.16
12	0.899	22.84	0.813	20.64	0.500	12.70
14	0.999	25.38	0.913	23.18	0.600	15.24
16	1.099	27.92	1.013	25.72	0.700	17.78
20	1.299	33.00	1.213	30.80	0.900	22.86
24	1.499	38.08	1.413	35.88	1.100	27.94
26	1.599	40.62	1.513	38.42	1.200	30.48
30	1.799	45.70	1.713	43.50	1.400	35.56
34	1.999	50.78	1.913	48.58	1.600	40.64
40	2.299	58.40	2.213	56.20	1.900	48.26
44	2.499	63.48	2.413	61.28	2.100	53.34
50	2.799	71.10	2.713	68.90	2.400	60.96
60	3.299	83.80	3.213	81.60	2.900	73.66
64	3.499	88.88	3.420	86.88	3.100	78.74

3. MEETS THE REQUIREMENTS OF THE EUROPEAN PARLIAMENT AND THE RESTRICTION OF THE USE OF CERTAIN HAZARDOUS SUBSTANCES IN ELECTRICAL AND ELECTRONIC EQUIPMENT. (RoHS)
 2. ADDITIONAL PLATING OPTIONS AVAILABLE
 1. INSULATOR MATERIAL: GLASS FILLED THERMOPLASTIC, UL94 V-0
 INSULATOR COLOR: BLACK
 CONTACT MATERIAL: COPPER ALLOY
- NOTES: UNLESS OTHERWISE SPECIFIED

Dimensions are in inches Tolerances are: Decimals Angles .XX ± .010 ± 3° .XXX ± .005	APPROVALS DRAWN C.L.W. CHECKED A. JOCHEN	DATE 3-23-00 3-23-00
Dimensions in brackets are in millimeters. Tolerances are: Decimals Angles .X ± .25 ± 3° .XX ± .13	THE INFORMATION AND DESIGN DISCLOSED HEREIN WAS ORIGINATED BY AND IS THE PROPERTY OF CIRCUIT ASSEMBLY CORPORATION. CIRCUIT ASSEMBLY CORPORATION RESERVES ALL PATENT, PROPRIETARY, DESIGN, MANUFACTURING, REPRODUCTION, USE AND SALES RIGHTS THERETO, AND TO ANY ARTICLE DISCLOSED HEREIN EXCEPT TO THE EXTENT RIGHTS ARE EXPRESSLY GRANTED TO OTHERS. DO NOT SCALE DRAWING	

CA	CIRCUIT ASSEMBLY CORP. 6 AUTRY SUITE 150, IRVINE, CALIFORNIA 92618		
	CONNECTOR ASSEMBLY_HL2 SERIES CA-XXHL2-1X "RoHS"		
SIZE B	CODE IDENT NO. 52072	DRAWING NO. 620411	REV. G
SCALE: 2 : 1		SHEET 1 OF 1	