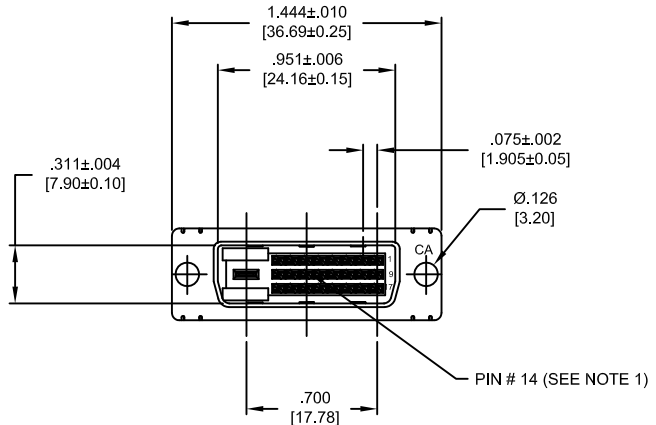


PART NO. CA-24DVIPDX-X

REVISIONS				
LTR	DESCRIPTION	DATE	APPROVED	
A	INITIAL RELEASE SEE DO 3897	A.J.	02-25-00	A.J.
B	SEE DO 3902	C.W.	02-29-00	A.J.
C	SEE DO 3990	A.J.	02-25-00	B.W.
D	SEE DO 4627	C.P.	09-24-01	A.J.
E	SEE DO 7611	C.P.	04-06-21	T.L.



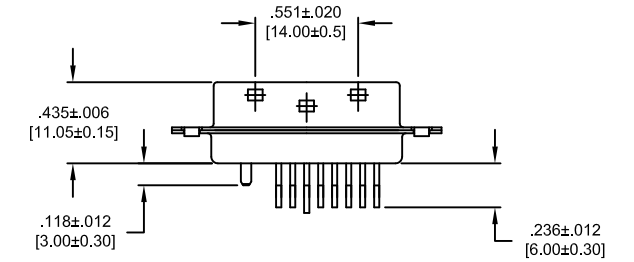
CA - 24 DVI P D X-X

NO. OF PIN POSITIONS _____
 DIGITAL VISUAL INTERFACE _____
 PLUG _____
 PRODUCT TYPE : DIGITAL _____
 PROFILE _____

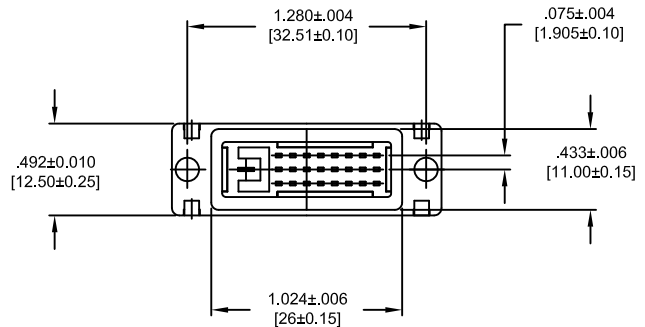
BLANK = 24 PINS WITH PIN NO. C5
 1 = 24 PINS WITHOUT PIN NO. C5

PLATING _____
 A = GOLD FLASH OVER NICKEL
 C = .000015 [.00038] GOLD OVER NICKEL
 F = .000030 [.00076] GOLD OVER NICKEL

- NOTES :
- CONTACT HEIGHT FOR PIN #14 IS .185 [4.70]
BALANCE OF CONTACTS .215 [5.46]
 - FOR SPECIFICATION AND PERFORMANCE CHARACTERISTICS SEE CA DWG 100252
 - ENVIRONMENTAL : TEMPERATURE RANGE -20°C TO +85°C
 - ELECTRICAL :
 RATED : 1.5A @ 40V AC (rms)
 CONTACT RESISTANCE : 20 MILLIOHMS MAXIMUM
 INSULATION RESISTANCE : 1000 MEGOHMS MINIMUM
 DIELECTRIC WITHSTANDING VOLTAGE : 500 V AC (rms)
 - MECHANICAL :
 MATING FORCE : 10 LB. (4.5kg) MAXIMUM
 UNMATING FORCE : 2.2 LB. (1kg) MINIMUM, 8.8 LB (4kg) MAXIMUM
 - MATERIAL :
 HOUSING : GLASS FILLED THERMOPLASTIC , BLACK, UL94V-0
 CONTACT : BRASS
 SHELL : STEEL, TIN OVER NICKEL PLATED
 - MEETS THE REQUIREMENTS OF THE EUROPEAN PARLIAMENT AND THE RESTRICTION OF THE USE OF CERTAIN HAZARDOUS SUBSTANCES IN ELECTRICAL AND ELECTRONIC EQUIPMENT. (RoHS)



CA-24DVIPD-X



DIMENSIONS ARE IN INCHES TOLERANCES ARE :		APPROVALS	DATE	CIRCUIT ASSEMBLY CORP. 6 AUTRY SUITE 150, IRVINE, CALIFORNIA 92618			
DECIMALS	ANGLES	DRAWN	A.JOCHEN		2-25-00		
.XX ±.010	±3°	CHECKED	A.JOCHEN	2-25-00	CONNECTOR ASSEMBLY - DVI SERIES DIGITAL 24, PLUG, CA-24DVIPD-X-X "RoHS"		
DIMENSIONS IN BRACKETS [X.XX] ARE MILLIMETERS TOLERANCES ARE :		<small>THE INFORMATION AND DESIGN DISCLOSED HEREIN WAS ORIGINATED BY AND IS THE PROPERTY OF CIRCUIT ASSEMBLY CORPORATION. CIRCUIT ASSEMBLY CORPORATION RESERVES ALL PATENT, PROPRIETARY, DESIGN, MANUFACTURING, REPRODUCTION, USE AND SALES RIGHTS THEREON, AND TO ANY ARTICLES DISCLOSED HEREIN EXCEPT TO THE EXTENT RIGHTS ARE EXPRESSLY GRANTED TO OTHERS. THE FOREGOING DOES NOT APPLY TO VENDOR PROPRIETARY RIGHTS.</small>		SIZE C		CODE IDENT NO. 52072	DRAWING NO. 620408
.X ±.25	±3°	DO NOT SCALE DRAWING		SCALE: 2 : 1	SHEET 1 OF 2		

4

3

2

1

REVISIONS			
LTR	DESCRIPTION	DATE	APPROVED
	SEE SHEET 1 OF 2		

D

D

C

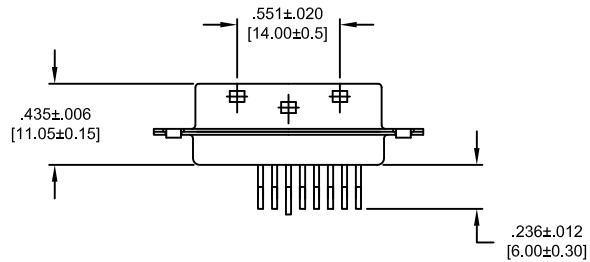
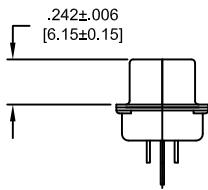
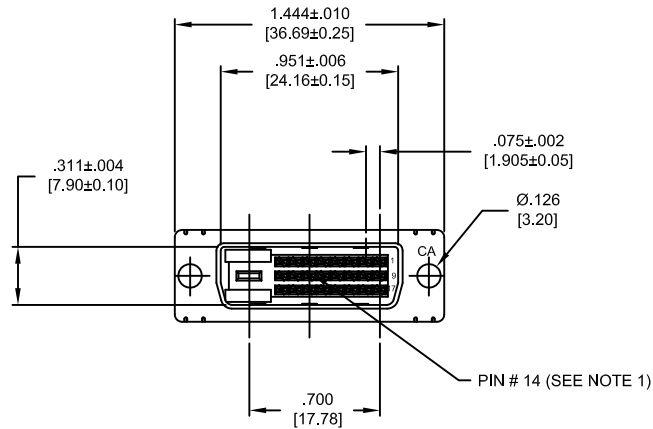
C

B

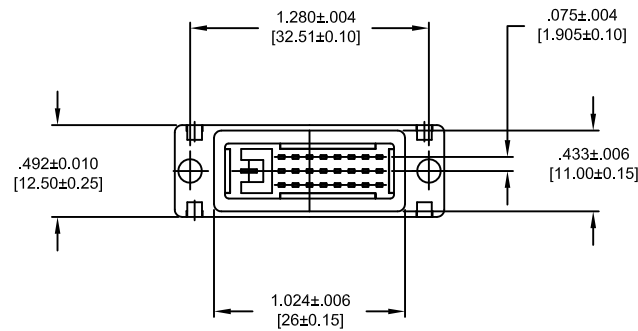
B

A

A



CA-24DVIPD1-X



DIMENSIONS ARE IN INCHES
TOLERANCES ARE:

DECIMALS ANGLES
.XX ±.010 ±3°
.XXX ±.005

DIMENSIONS IN BRACKETS
[X.XX] ARE MILLIMETERS
TOLERANCES ARE:

DECIMALS ANGLES
.X ±.25 ±3°
.XX ±.13

DO NOT SCALE DRAWING

APPROVALS

DRAWN A.JOCHEN

CHECKED A.JOCHEN

DATE

2-25-00

2-25-00

THE INFORMATION AND DESIGN DISCLOSED HEREIN WAS ORIGINATED BY AND IS THE PROPERTY OF CIRCUIT ASSEMBLY CORPORATION. CIRCUIT ASSEMBLY CORPORATION RESERVES ALL PATENT, PROPRIETARY, DESIGN, MANUFACTURING, REPRODUCTION, USE AND SALES RIGHTS HEREIN, AND TO ANY ARTICLES DISCLOSED HEREIN EXCEPT TO THE EXTENT RIGHTS ARE EXPRESSLY GRANTED TO OTHERS. THE FOREGOING DOES NOT APPLY TO VENDOR PROPRIETARY RIGHTS.

DATE

2-25-00

CA CIRCUIT ASSEMBLY CORP.
18 THOMAS ST., IRVINE, CALIFORNIA 92618-2777

**CONNECTOR ASSEMBLY - DVI SERIES
DIGITAL 24, PLUG, CA-24DVIPD1-X
"RoHS"**

SIZE C
CODE IDENT NO. 52072

DRAWING NO. **620408**
REV. **E**

SCALE: 2 : 1

SHEET 2 OF 2

4

3

2

1