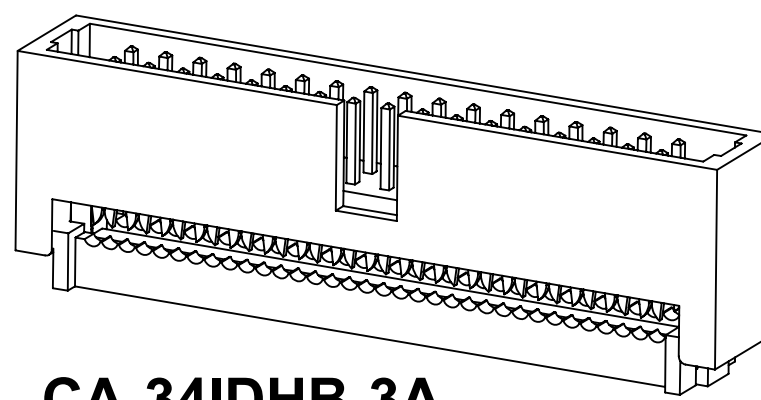
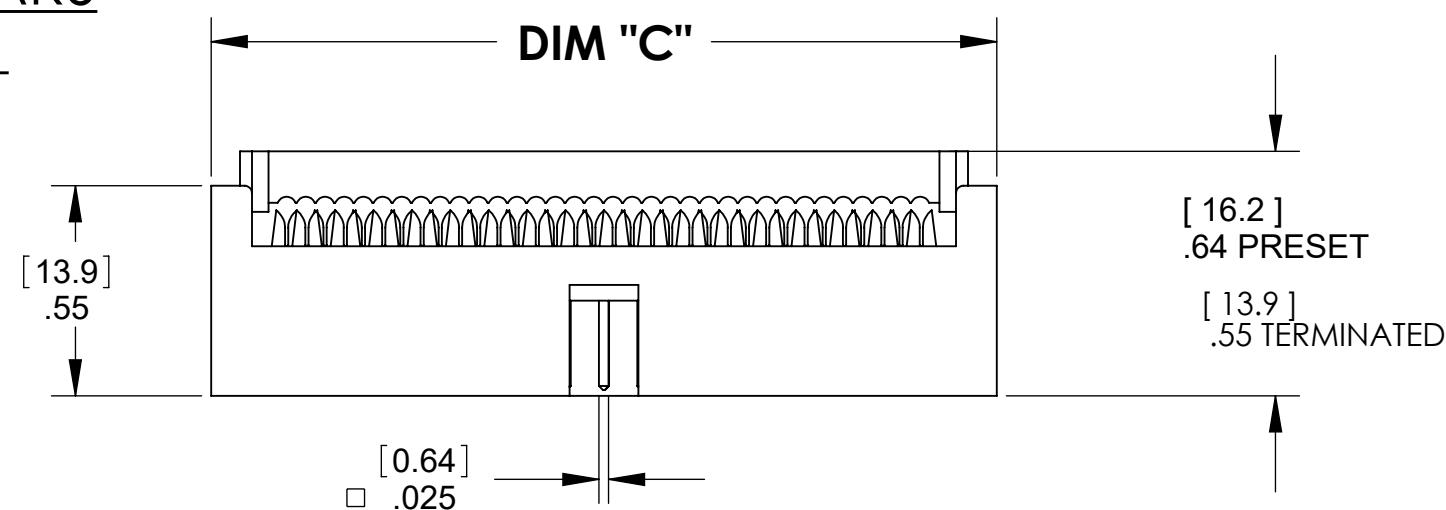
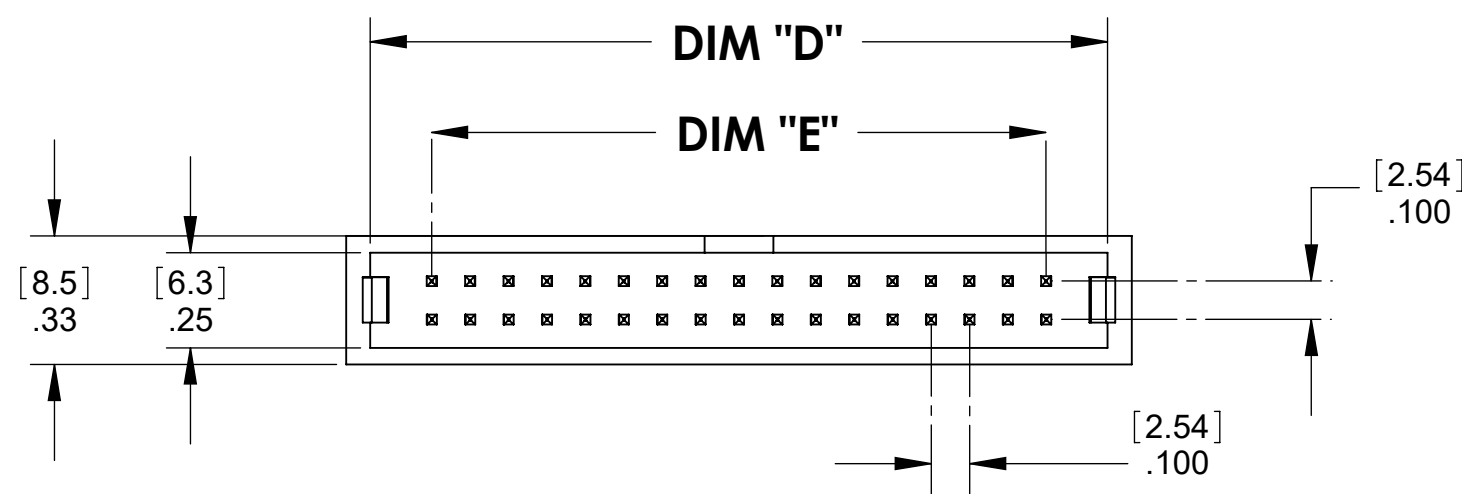


LTR	DESCRIPTION	DATE	APPROVED
A	INITIAL RELEASE SEE DO 3893	JL 3-2-00	A.J.
B	SEE DO 4010	CW 5-12-00	A.J.
C	SEE DO 6850	CP 4-09-09	A.J.
D	SEE DO 7529	CP 6-19-19	T.L.
E	SEE DO 7632	CP 10-11-21	T.C.

WITHOUT EARS  
-3 SHOWN



CA-34IDHB-3A



ORDERING NOMENCLATURE:

**CA-XX IDHB-X A-XX**

NUMBER OF CONTACT POS

INSULATION DISPLACEMENT BOX HEADER

MOUNTING OPTIONS

- 2 = WITH MOUNTING EARS
- 3 = WITHOUT MOUNTING EARS

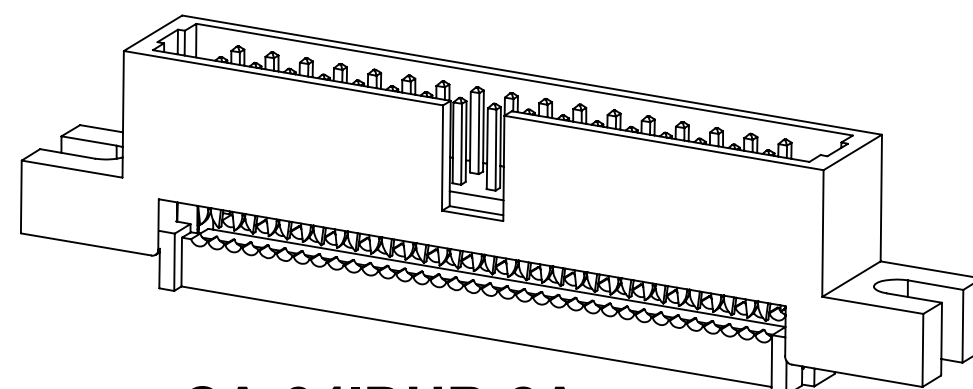
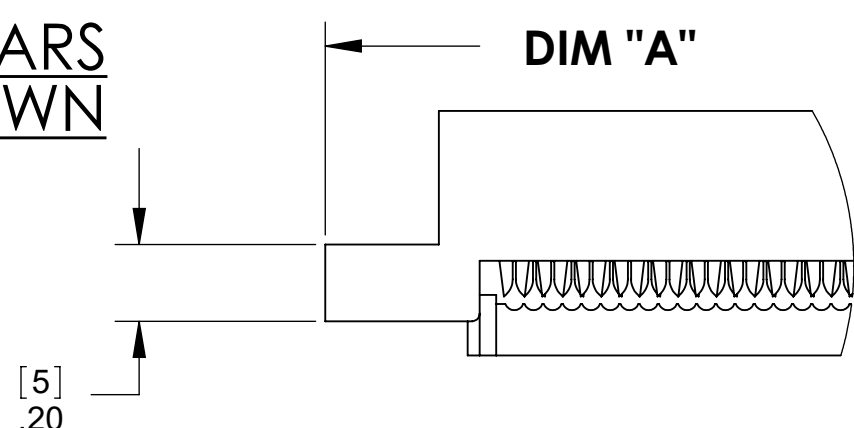
PLATING

- A = GOLD FLASH

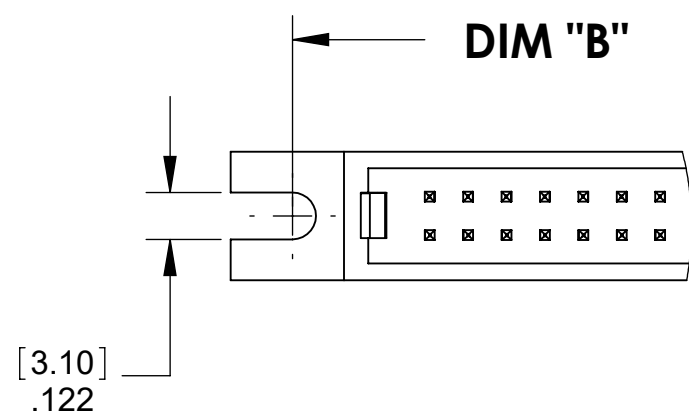
INSULATOR COLOR

- BLANK = GRAY
- B K = BLACK

WITH EARS  
-2 SHOWN



CA-34IDHB-2A



TABULATION:

POSITION	A		B		C		D		E	
	IN	MM	IN	MM	IN	MM	IN	MM	IN	MM
10	1.45	36.8	1.20	30.5	0.84	21.3	0.715	18.16	0.400	10.16
14	1.65	41.9	1.40	35.6	1.04	26.4	0.915	23.24	0.600	15.24
16	1.75	44.5	1.50	38.1	1.14	29.0	1.015	25.78	0.700	17.78
20	1.95	49.5	1.70	43.2	1.34	34.0	1.215	30.86	0.900	22.86
24	2.15	54.6	1.90	48.3	1.54	39.1	1.415	35.94	1.100	27.94
26	2.25	57.2	2.00	50.8	1.64	41.7	1.515	38.50	1.200	30.48
30	2.45	62.2	2.20	55.9	1.84	46.7	1.715	43.62	1.400	35.56
34	2.65	67.3	2.40	61.0	2.04	51.8	1.915	48.60	1.600	40.64
40	2.95	74.9	2.70	68.6	2.34	59.4	2.215	56.36	1.900	48.26
50	3.45	87.6	3.20	81.3	2.84	72.1	2.715	69.90	2.400	60.96
60	3.95	100.3	3.70	94.0	3.34	84.8	3.215	81.88	2.900	73.66
64	4.15	105.4	3.90	99.1	3.54	89.9	3.415	86.90	3.100	78.74

NOTES: UNLESS OTHERWISE SPECIFIED

1. INSULATOR MATERIAL: GLASS FILLED THERMOPLASTIC UL94V-0, COLOR: SEE ORDERING NOMENCLATURE

CONTACT MATERIAL : COPPER ALLOY (BRASS)

2. CURRENT RATING : 1AMP DC  
CONTACT RESISTANCE : 30 MILLIOHMS MAX  
INSULATION RESISTANCE : 1000 MEGOHM MIN  
DIELECTRIC VOLTAGE : 500V AC FOR ONE MINUTE  
OPERATING TEMPERATURE: -40°C TO 105°C

3. RECOMMENDED CABLE: .050 [1.27] PITCH, 28 AWG

4. ADDITIONAL PLATING OPTIONS AVAILABLE

5. MEETS THE REQUIREMENTS OF THE EUROPEAN PARLIAMENT AND THE RESTRICTION OF THE USE OF CERTAIN HAZADOUS SUBSTANCES IN ELECTRICAL AND ELECTRONIC EQUIPMENT. (RoHS)

DIMENSIONS ARE IN INCHES  
TOLERANCES ARE:

DECIMALS .XX ±.010  
.XXX ±.005

ANGLES ±3°

DIMENSIONS IN BRACKETS [X.XX] ARE IN MILLIMETERS  
TOLERANCES ARE:

DECIMALS .X ± .25  
.XX ± .13

DO NOT SCALE DRAWING

APPROVALS

DRAWN C. WILKERSON 3-2-00  
CHECKED A. JOCHEN 3-3-00

DATE

**CA** CIRCUIT ASSEMBLY CORP.  
6 AURTY SUITE 150, IRVINE, CALIFORNIA 92618

**CONNECTOR ASSEMBLY-IDHB SERIES**  
**CA-XXIDHB-XA-XX**

"RoHS"

SIZE C CODE IDENT NO. 52072 DRAWING NO. 620402 REV. E

SCALE: 2:1 SHEET 1 OF 1