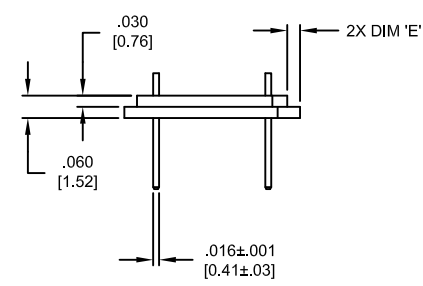
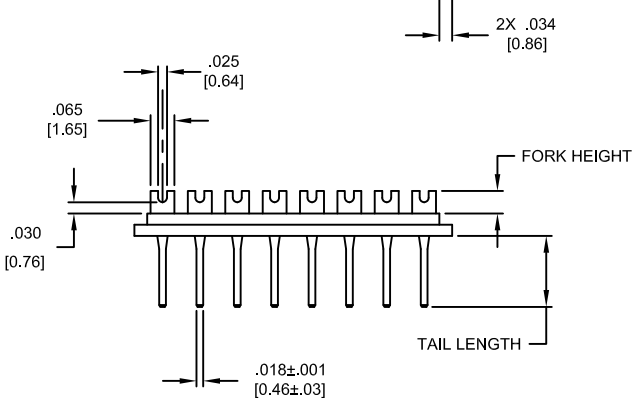
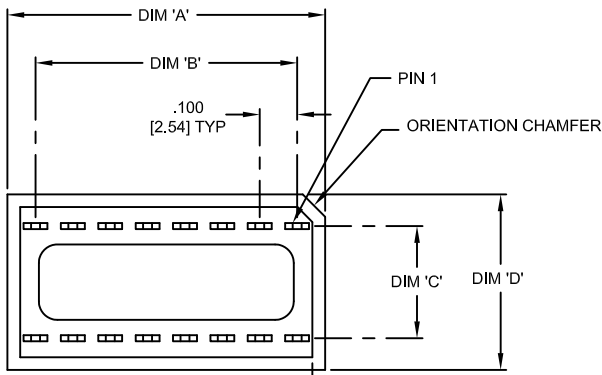


PART NO. CA-XXP-XXX-XX

REVISIONS				
LTR	DESCRIPTION	DATE	APPROVED	
A	INITIAL RELEASE SEE DO 4547	C.P.	7-5-01	A.J
B	SEE DO 4616	C.P.	9-10-01	A.J
C	SEE DO 4630	C.P.	9-25-01	A.J
D	SEE DO 5580	C.P.	8-26-04	A.J
E	SEE DO 6130	C.P.	6-27-06	A.J
F	SEE DO 6279	C.P.	11-17-06	A.J
G	SEE DO 7521	C.P.	04-19-19	T.L.
H	SEE DO 7604	C.P.	02-24-21	T.L.



CA-XXP-XXX-XX

NO. OF POS. _____

PLUG STANDARD, FORK _____

PLATING _____

BLANK = TAIL AREA : .000010 [.00025] GOLD
 FORK AREA : .000150 ±.000025 [.00381±.00064] TIN
 UNDERPLATE : .000075 [.00190] NICKEL

T = .000150 ±.000025 [.00381±.00064] TIN
 OVER .000075 [.00190] NICKEL

CONTACT STYLE	TAIL LENGTH	FORK HEIGHT
02 =	.190 [4.83]	.060 [1.52]
04 =	.150 [3.81]	.060 [1.52]
11 =	.190 [4.83]	.100 [2.54]
12 =	.150 [3.81]	.100 [2.54]

CONFIGURATION (Add if required) _____

BLANK = STANDARD WIDTH
 NW = NARROW WIDTH

- PARTS SHALL BE: "MOISTURE SENSITIVITY LEVEL #1".
- SPECIFICATIONS :
 - ENVIRONMENTAL :**
 - TEMPERATURE RANGE : -65°C TO +125°C
 - MECHANICAL :**
 - INSULATOR MATERIAL : GLASS FILLED NYLON, BLACK, UL94V-0
 - CONTACT MATERIAL : BRASS, CDA 260
 - ELECTRICAL :**
 - CURRENT RATING : 1 AMP
 - VOLTAGE RATING : 300 Vrms
 - DIELECTRIC WITHSTANDING VOLTAGE : 500 Vrms MIN.
 - INSULATION RESISTANCE : > 5000 Megohms
- MEETS THE REQUIREMENTS THE EUROPEAN PARLIAMENT AND THE RESTRICTION OF THE USE OF CERTAIN HAZARDOUS SUBSTANCES IN ELECTRICAL AND ELECTRONIC EQUIPMENT. (RoHS)

NOTES : UNLESS OTHERWISE SPECIFIED

TABULATION :

NO. OF POS	DIM 'A'		DIM 'B'		DIM 'C'		DIM 'D'		DIM 'E'	
	IN	MM	IN	MM	IN	MM	IN	MM	IN	MM
08	.450	[11.43]	.300	[7.62]	.300	[7.62]	.470	[11.94]	.034	[0.86]
14	.750	[19.05]	.600	[15.24]	.300	[7.62]	.470	[11.94]	.034	[0.86]
14-NW	.750	[19.05]	.600	[15.24]	.300	[7.62]	.395	[10.03]	.024	[0.61]
16	.850	[21.59]	.700	[17.78]	.300	[7.62]	.470	[11.94]	.034	[0.86]
16-NW	.850	[21.59]	.700	[17.78]	.300	[7.62]	.395	[10.03]	.024	[0.61]
18	.950	[24.13]	.800	[20.32]	.300	[7.62]	.470	[11.94]	.034	[0.86]
20	1.050	[26.67]	.900	[22.86]	.300	[7.62]	.470	[11.94]	.034	[0.86]
24	1.250	[31.75]	1.100	[27.94]	.600	[15.24]	.795	[20.19]	.034	[0.86]
28	1.450	[36.83]	1.300	[33.02]	.600	[15.24]	.795	[20.19]	.034	[0.86]
40	2.050	[52.07]	1.900	[48.26]	.600	[15.24]	.795	[20.19]	.034	[0.86]

DIMENSIONS ARE IN INCHES TOLERANCES ARE:	APPROVALS DRAWN CUONG .P CHECKED A. JOCHEN	DATE 6-29-01 7-05-01	CIRCUIT ASSEMBLY CORP. 6 ATRY SUITE 150, CALIFORNIA 92618 DIP PLUG STANDARD, FORK STYLE SERIES 'P' "RoHS"		
DECIMALS .XX ± .010 .XXX ± .005 ANGLES ± 3°	THE INFORMATION AND DESIGN DISCLOSED HEREIN WAS ORIGINATED BY AND IS THE PROPERTY OF CIRCUIT ASSEMBLY CORPORATION. CIRCUIT ASSEMBLY CORPORATION RESERVES ALL PATENT, PROPRIETARY, DESIGN, MANUFACTURING, REPRODUCTION, USE AND SALES RIGHTS THEREIN, AND TO ANY ARTICLES DISCLOSED HEREIN EXCEPT TO THE EXTENT RIGHTS ARE EXPRESSLY GRANTED TO OTHERS. THE FOREGOING DOES NOT APPLY TO VENDOR PROPRIETARY RIGHTS.	SIZE C		CODE IDENT NO. 52072	DRAWING NO. 620394
DO NOT SCALE DRAWING	SCALE: 4:1	SHEET 1 OF 1			