

4

3

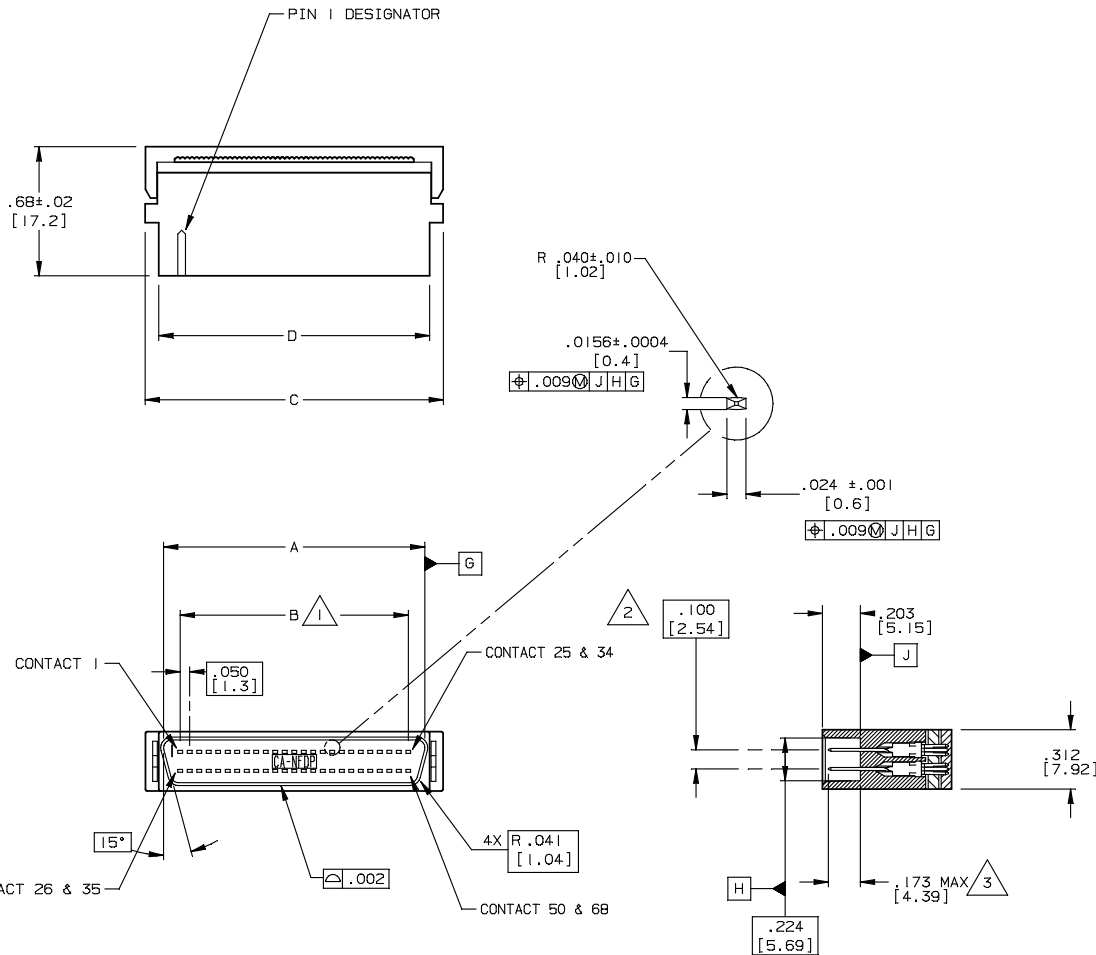
2

1

PART NO. CA-XXNFDP-X-P

REVISIONS

LTR	DESCRIPTION	DATE	APPROVED
A	INITIAL RELEASE SEE ECR 2780	08-04-94	A. J
B	SEE ECO 2316	07-06-95	A. J.
C	SEE ECO 2539	PH 05-14-96	J. McA
D	SEE ECO 2609	PH 05-14-96	J. McA
E	SEE ECO 2751	DL 07-16-97	J. McA
F	SEE DO 3803	DL 12-06-99	A. J.
G	SEE DO 4344	CLW 2/28/01	A. J.
H	SEE DO 7624	C.P. 8/13/21	T.L.



CA - [] NFDP - [] - P

NUMBER OF PIN POSITIONS

INSULATION DISPLACEMENT D-TYPE PLUG

CONTACT PLATING

C = .000015 [0.00038] GOLD CONTACT AREA

E = .000030 [0.00076] GOLD CONTACT AREA

STYLE:

P = ALL PLASTIC

5. MEETS THE OF THE EUROPEAN PARLIAMENT AND THE RESTRICTION OF THE USE OF CERTAIN HAZARDOUS SUBSTANCES IN ELECTRICAL AND ELECTRONIC EQUIPMENT. (RoHS)

4. X DENOTES INSPECTIONS CRITERIA LINE ITEM NUMBER

3. FOR DETAIL SPECIFICATION SEE SPEC. NO. 100196

2. SPECIFICATION:

ENVIRONMENTAL:

EIA-364-B ENVIRONMENTAL CLASS 1.3
TEMPERATURE RANGE: -55° C TO +105° C

MECHANICAL:

INSULATOR MATERIAL: GLASS FILLED POLYESTER
COLOR BLACK, UL94V-0

CONTACT MATERIAL: PHOSPHOR BRONZE

DURABILITY: 500 CYCLES MIN.

ELECTRICAL:

CURRENT RATING: 0.5 AMP

DIELECTRIC WITHSTANDING VOLTAGE: 500 VDC FOR 1 MINUTE

INSULATOR RESISTANCE: 1000 MEGOHMS MIN.

CONTACT RESISTANCE:

25 MILLIOHMS MAX MEASURED THROUGH INSULATION DISPLACEMENT PORTION AND MATING PIN; 15 MILLIOHMS MAX THROUGH MALE/FEMALE CONTACT INTERFACES

1. INTERPRET DIMENSIONS AND TOLERANCES PER ASME Y14.5M-1994

NOTES: UNLESS OTHERWISE SPECIFIED

TABULATION:

NO. OF POSITIONS	A		B		C		D	
	IN	MM	IN	MM	IN	MM	IN	MM
50	1.372	34.85	1.200	30.48	1.568	39.83	1.425	36.19
68	1.822	46.28	1.650	41.91	2.018	51.26	1.883	47.83

DIMENSIONS ARE IN INCHES TOLERANCES ARE: DECIMALS ANGLES .XX ± .01 ± 1° .XXX ± .005	APPROVALS DRAWN P. HAAR CHECKED A. JOCHEN	DATE 8/5/94 8/5/94	CIRCUIT ASSEMBLY CORP. 6 AURTY SUITE 150, IRVINE, CALIFORNIA 92618 CONN ASSY-UNSHIELDED HIGH-DENSITY IDC PLUG .050 CL 30 AWG CA-NFDP SERIES		
DIMENSIONS IN BRACKETS (X.XX) ARE IN MILLIMETERS TOLERANCES ARE: DECIMALS ANGLES .X ± .25 ± 1° .XX ± .13	THE INFORMATION AND DESIGN DISCLOSED HEREIN WAS ORIGINATED BY AND IS THE PROPERTY OF CIRCUIT ASSEMBLY CORPORATION. CIRCUIT ASSEMBLY CORPORATION RESERVES ALL PATENT, PROPRIETARY DESIGN, MANUFACTURING, REPRODUCTION, USE AND SALES RIGHTS THERE TO, AND TO ANY ARTICLE DISCLOSED HEREIN EXCEPT TO THE EXTENT RIGHTS ARE EXPRESSLY GRANTED TO OTHERS. THE FOREGOING DOES NOT APPLY TO VENDOR PROPRIETARY RIGHTS.	SCALE: 2 : 1		SIZE CODE IDENT NO. C 52072	DRAWING NO. 620351-XX

4

3

2

1