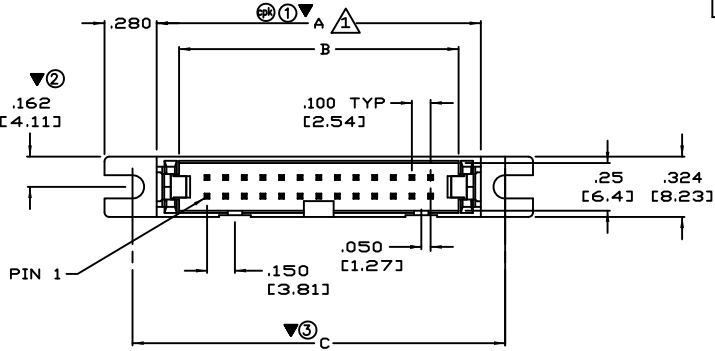


PART NO. CA-XXIDH-XX-XXX

M	SEE DO 7281	CP	08-06-14	I.M.
L	SEE DO 7522	CP	04-30-19	T.L.

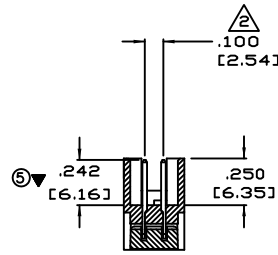
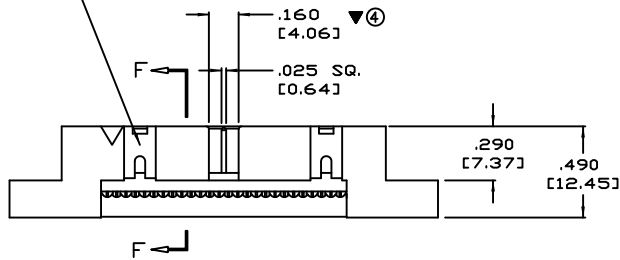
REVISIONS

LTR	DESCRIPTION	DATE	APPROVED
A	INITIAL RELEASE SEE ECD 855	10-01-86	J. MCA.
B	SEE ECD 879	12-17-86	A.J.
C	SEE ECD 932	07-17-87	I.M.
D	SEE ECD 2281	DL 02-01-95	A.J.
E	SEE ECD 2534	PH 05-02-96	A.J.
F	SEE DO 4082	JRL 7-10-00	A.J.
G	SEE DO 4109	CLW 8-3-00	A.J.
H	SEE DO 5809	CP 6-27-05	L.F.
J	SEE DO 5974	CP 01-11-06	A.J.
K	SEE DO 6809	CP 01-20-09	I.M.
L	SEE DO 6975	CP 06-01-10	A.J.



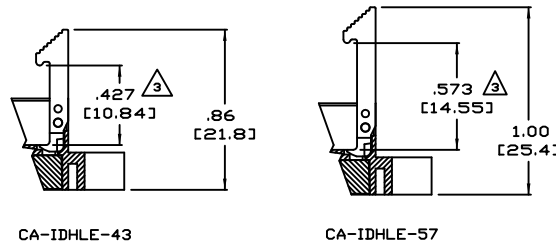
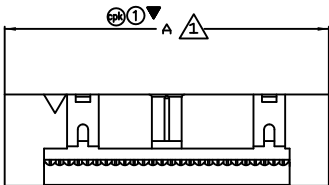
CA-XXIDH-X2 SHOWN

THE POLARIZING FEATURE ON THIS END IS OMITTED ON CA-10IDH



SECTION F-F
SCALE 2:1

CA-XXIDH-X3 SHOWN



LATCHES ORDERED SEPARATELY.
INSTALLED BY HAND AFTER CABLE
TERMINATION.

ORDERING NOMENCLATURE:

CA-XXIDH-XX-XXX

NO. OF PIN POSITIONS: _____

INSULATION DISPLACEMENT HEADER _____

MOUNTING CONFIGURATION:

- 2 = EARS WITH .125 [3.18] WIDE SLOT
- 3 = NO MOUNTING EARS
- DIMENSION A REPRESENTS OVER ALL LENGTH

PLATING:

C = CONTACT AREA: .000015 [0.00038] GOLD
INSULATION DISPLACEMENT AREA: .000150 [0.00381] TIN
UNDERPLATE: .000075 [0.00190] NICKEL

F = CONTACT AREA: .000030 [0.00076] GOLD
INSULATION DISPLACEMENT AREA: .000150 [0.00381] TIN
UNDERPLATE: .000075 [0.00190] NICKEL

ADD IF REQUIRED:

SPT = 10 POSITION ONLY (SEE NOTE 7)

- MARK '▼' DIMENSION MUST BE CONTROLLED.
- MARK '⊗' IS DIMENSION NO.
- MARK '⊕' DIMENSION MUST BE CONTROLLED BY CPK.
- MEETS THE REQUIREMENTS OF THE EUROPEAN PARLIAMENT AND THE RESTRICTION OF THE USE OF CERTAIN HAZARDOUS SUBSTANCES IN ELECTRICAL AND ELECTRONIC EQUIPMENT. (RoHS)

- POLARIZING SLOTS:
 - NO SLOT ON CA-10IDH, 1 POLARIZING FEATURE
 - SINGLE SLOT ON CA-10IDH-SPT, NO POLARIZING FEATURES
 - SINGLE SLOT ON CA-20IDH THRU CA-40IDH
 - 3 SLOTS ON CA-50IDH & CA-60IDH

⊕ DENOTES INSPECTION CRITERIA LINE ITEM NO.

LATCHES MUST BE INSTALLED AFTER CABLE/CONNECTOR ASSEMBLY

FOR DETAIL SPECIFICATIONS, REFER TO SPECIFICATION NO. CA-100067

PLATING: SEE ORDERING NOMENCLATURE

CONTACT MATERIAL: PHOSPHOR BRONZE

INSULATOR MATERIAL: GLASS FILLED POLYESTER, GRAY, UL94V-0

NOTES: UNLESS OTHERWISE SPECIFIED.

TABULATION:

NO. OF POSITIONS	A		B		C	
	IN	MM	IN	MM	IN	MM
10	.940	23.88	.700	17.78	1.200	30.48
20	1.440	36.58	1.200	30.48	1.700	43.18
26	1.740	44.20	1.500	38.10	2.000	50.80
34	2.140	54.36	1.900	48.26	2.400	60.96
40	2.440	61.98	2.200	55.88	2.700	68.58
50	2.940	74.68	2.700	68.58	3.200	81.28
60	3.440	87.38	3.200	81.28	3.700	93.98

DIMENSIONS ARE IN INCHES TOLERANCES ARE:		APPROVALS		DATE	CIRCUIT ASSEMBLY CORP. 6 AUTRY SUITE 150, IRVINE, CALIFORNIA 92618 CONNECTOR ASSEMBLY-IDH SERIES IDT SHROUDED HEADER "RoHS"
DECIMALS	ANGLES	DRAWN S. CABRERA		10-1-86	
.XX ± .010	± 3°	CHECKED J. McALLISTER		10-1-86	
.XXX ± .005		THE INFORMATION AND DESIGN DISCLOSED HEREIN WAS ORIGINATED BY AND IS THE PROPERTY OF CIRCUIT ASSEMBLY CORPORATION. CIRCUIT ASSEMBLY CORPORATION RESERVES ALL PATENT, PROPRIETARY, DESIGN, MANUFACTURING, REPRODUCTION, USE AND SALES RIGHTS THEREIN, AND TO ANY ARTICLE DISCLOSED HEREIN EXCEPT TO THE EXTENT RIGHTS ARE EXPRESSLY GRANTED TO OTHERS. THE FOREGOING DOES NOT APPLY TO VENDOR PROPRIETARY RIGHTS.			
DO NOT SCALE DRAWING		SIZE	CODE IDENT NO.	DRAWING NO.	REV.
		C	52072	620228	P
		SCALE: 2:1	SHEET 1 OF 1		9620-003