

4

3

2

1

PART NO. CA-02SJO-X

REVISIONS				
LTR	DESCRIPTION	DATE	APPROVED	
A	INITIAL RELEASE SEE DO 4504	C.P. 6-04-01	A.J.	
B	SEE DO 7072	C.P. 3-11-11	I.M.	
C	SEE DO 7521	C.P. 4-19-19	T.L.	

**THE NOMENCLATURE :**

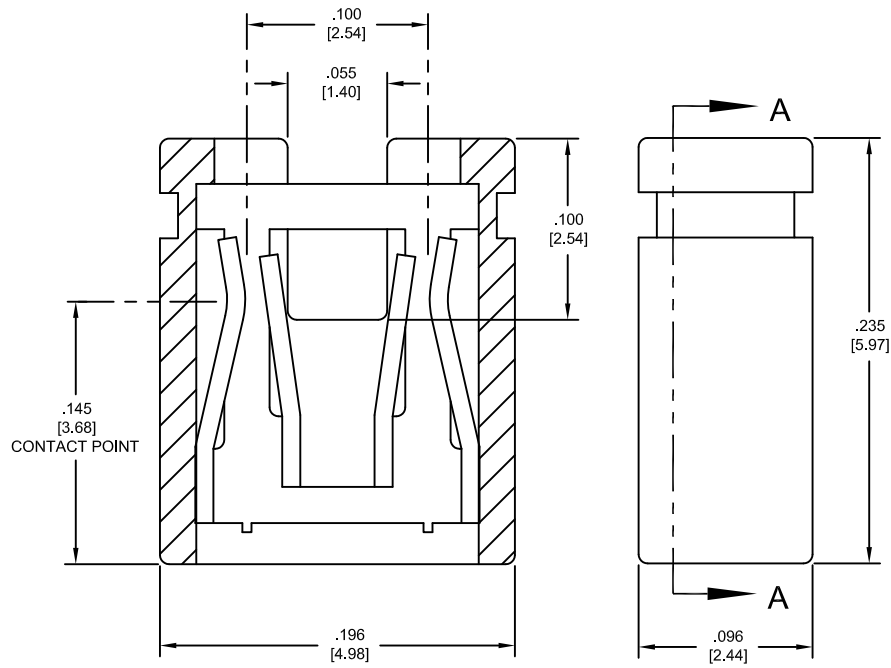
# CA - 02SJO - X

**NO. OF POSITIONS**

**SHORTING JUMPER - OPEN**

**PLATING**

A = GOLD FLASH  
B = .000010 [.00025] GOLD



**3. SPECIFICATIONS :**

**ENVIRONMENTAL :**

TEMPERATURE RANGE : -55°C TO +125 ° C

**MECHANICAL :**

INSULATOR MATERIAL : GLASS FILLED POLYESTER, BLACK, UL94V-0  
 CONTACT MATERIAL : COPPER ALLOY  
 CONTACT INSERTION FORCE :  
 16 oz [4.4 N] TYP  
 32 oz [8.8 N] MAX  
 CONTACT EXTRACTION FORCE :  
 12 oz [3.3 N] TYP  
 7.5 oz [2.1 N] MIN

**ELECTRICAL :**

CURRENT RATING : 2 AMP  
 VOLTAGE RATING : 300 Vrms  
 INSULATION RESISTANCE : > 5000 Megohms  
 CONTACT RESISTANCE : 15 Milliohms MAX

**MATING CA PRODUCT :**

100 [2.54] SYSTEM

2. REPLACES DRAWING CA-610156

1. MEETS THE REQUIREMENTS OF THE EUROPEAN PARLIAMENT AND THE RESTRICTION OF THE USE OF CERTAIN HAZARDOUS SUBSTANCES IN ELECTRICAL AND ELECTRONIC EQUIPMENT. (RoHS)

NOTES : UNLESS OTHERWISE SPECIFIED

DIMENSIONS ARE IN INCHES TOLERANCES ARE: DECIMALS ANGLES .XX ± .010 ± 3° .XXX ± .005	APPROVALS	DATE	<b>CIRCUIT ASSEMBLY CORP.</b> 3A VANDERBILT, IRVINE, CALIFORNIA 92618-2030
	DRAWN CUONG.P.	5-31-01	
DIMENSIONS IN BRACKETS [X.XX] ARE IN MILLIMETERS TOLERANCES ARE: DECIMALS ANGLES .X ± .25 ± 3° .XX ± .13	CHECKED A.JOCHEN	6-04-01	<b>CONNECTOR ASSEMBLY          SHORTING JUMPER - OPEN          "ROHS"</b>
	DO NOT SCALE DRAWING		
	SIZE C	CODE IDENT NO. 52072	DRAWING NO. <b>610275</b>
		SCALE: 20:1	REV. <b>C</b>
			SHEET 1 OF 1

4

3

2

1