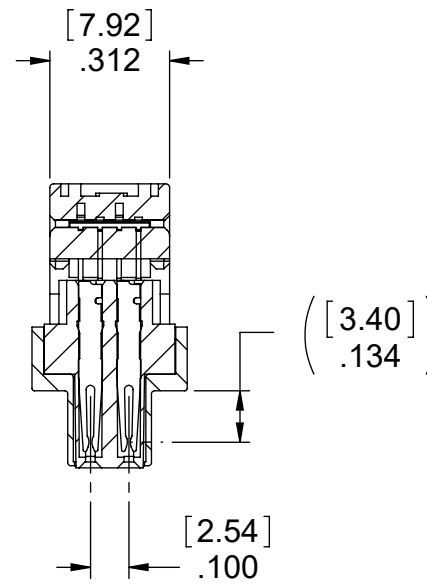
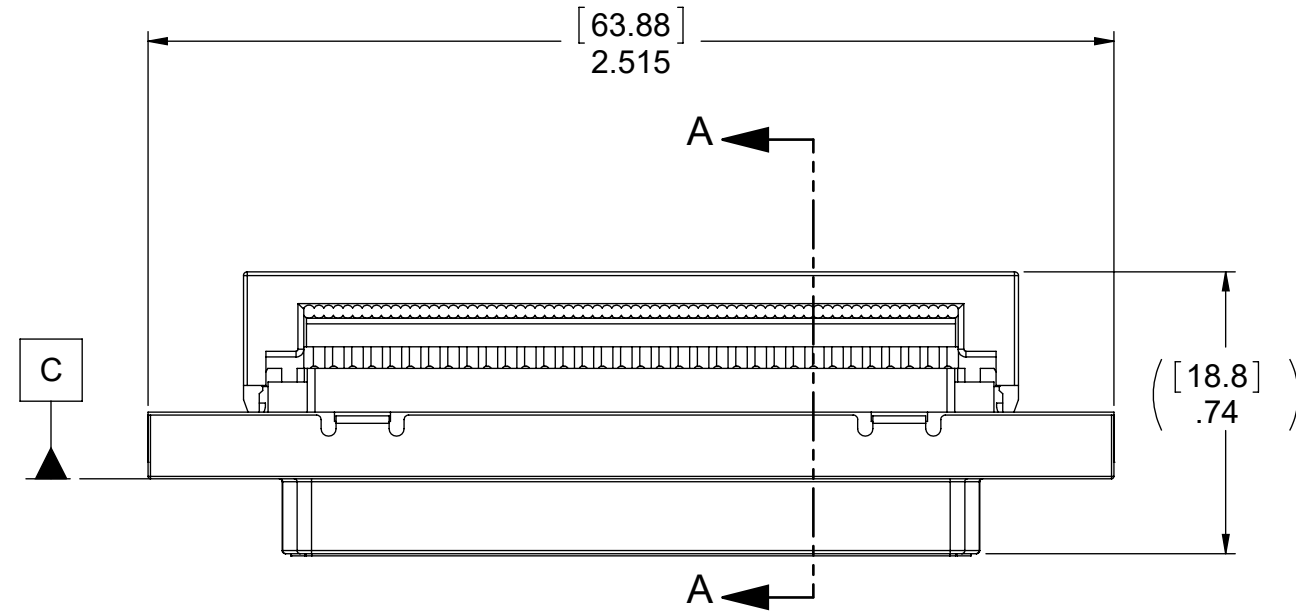
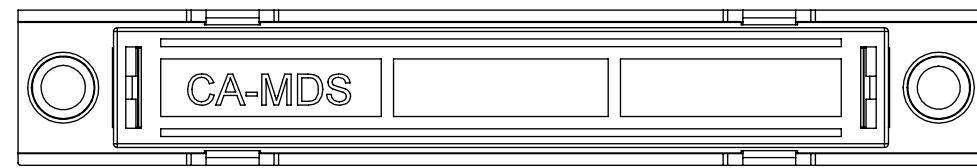


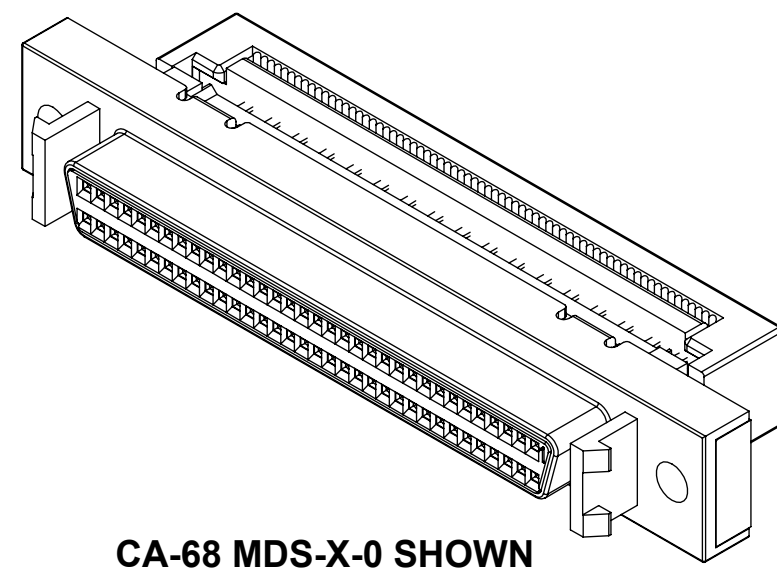
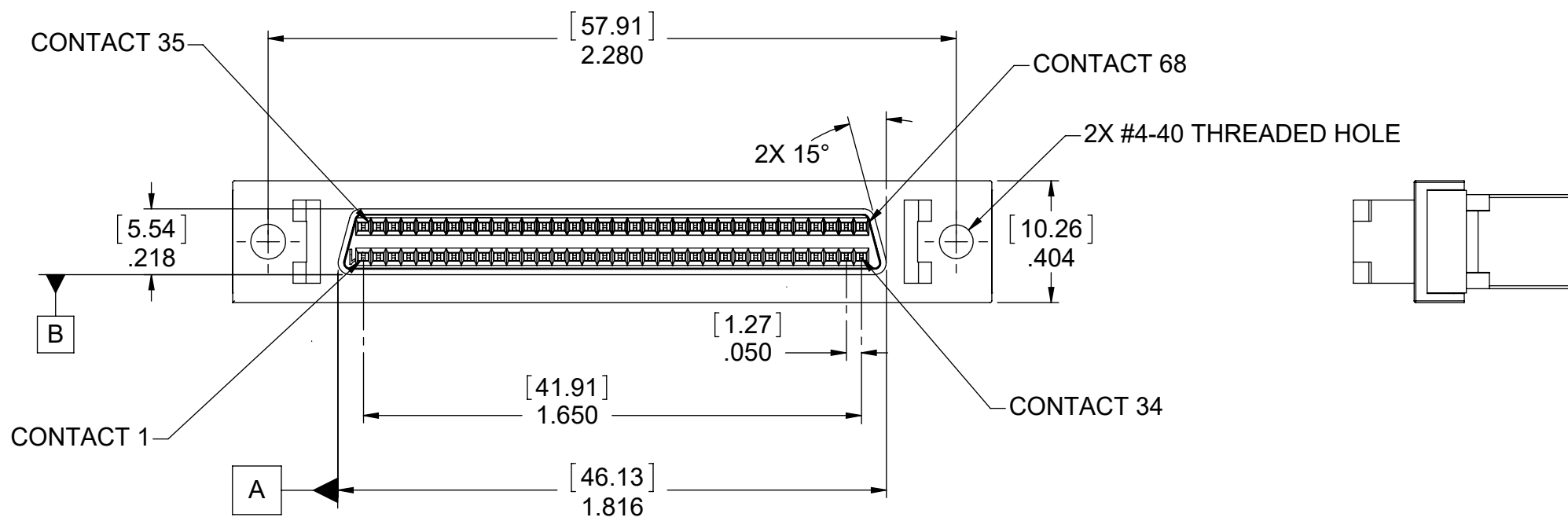
PART NO. CA-68MDS-X-XX

REVISIONS

LTR	DESCRIPTION	DATE	APPROVED
A	INITIAL RELEASE SEE DO 4303	C.P. 2-7-01	L.F.
B	SEE DO 4464	N.T. 4-30-01	L.F.
C	SEE DO 4478	N.T. 5-14-01	L.F.
D	SEE DO 4520	N.T. 6-7-01	L.F.
E	SEE DO 4619	C.P. 9-14-01	L.F.
F	SEE DO 5717	C.P. 3-30-05	L.F.
G	SEE DO 6767	C.P. 11-14-08	A.J.
H	SEE DO 7548	C.P. 12-03-19	T.L.
J	SEE DO 7593	C.P. 12-10-20	T.L.



SECTION A-A



CA-68 MDS-X-0 SHOWN

ORDERING NOMENCLATURE

CA - 68 MDS - X - X X

NUMBER OF POSITIONS

INSULATION DISPLACEMENT
D-TYPE SOCKET

CONTACT PLATING

A = CONTACT AREA : GOLD FLASH
 C = CONTACT AREA : .000015 [.00038] GOLD
 D = CONTACT AREA : .000005 [.00013] GOLD
 F = CONTACT AREA : .000030 [.00076] GOLD

IDC AREA : .000100 ± .000025 [.00254 ± .00064] TIN
 UNDERPLATE : .000075 ± .000025 [.00191 ± .00064] NICKEL

STYLE

0 = NO LATCH AND 4-40 THREADED NUT 3 = NO LATCH AND 2-56 THREADED NUT
 1 = LATCH AND 2-56 THREADED NUT 4 = LATCH AND 4-40 THREADED NUT

CABLE STYLE

BLANK = NFC .024[0.61] THICK
 L = LAMINATED NFC-PVC .030[0.76] THICK

4. MEETS THE REQUIREMENTS OF OF THE EUROPEAN PARLIAMENT AND THE RESTRICTION OF THE USE OF CERTAIN HAZARDOUS SUBSTANCES IN ELECTRICAL AND ELECTRONIC EQUIPMENT. (RoHS)

3. FOR DETAIL SPECIFICATION SEE SPECIFICATIONS NO. 100265

2. SPECIFICATIONS :

ENVIRONMENTAL :
 TEMPERATURE RANGE: -55° TO 105° C
MECHANICAL:
 INSULATOR MATERIAL: GLASS FILLED POLYESTER, COLOR BLACK, UL94V-0
 CONTACT MATERIAL: PHOSPHOR BRONZE, SEE ORDERING NOMENCLATURE FOR PLATING
 FRAME MATERIAL: DIE CAST, ZINC ALLOY, NICKEL PLATE OVER COPPER
 DURABILITY: 500 CYCLES MIN.
ELECTRICAL :
 CURRENT RATING: 0.5 AMP
 DIELEC. W. VOLTAGE: 500VDC FOR 1 MINUTE
 INSULATOR RESISTANCE: 1000 MEGOHMS MIN.
 CONTACT RESISTANCE: A. 25 MILLIOHMS MAX. MEASURED THROUGH INSULATION
 DISPLACEMENT PORTION AND MATING PIN
 EIA-364-B ENVIRONMENTAL CLASS 1.3
 B. 15 MILLIOHMS MAX. THROUGH MALE-FEMALE CONTACT INTERFACE.

1. INTERPRET DIMENSIONS AND TOLERANCES PER ASME Y14.5M-1994

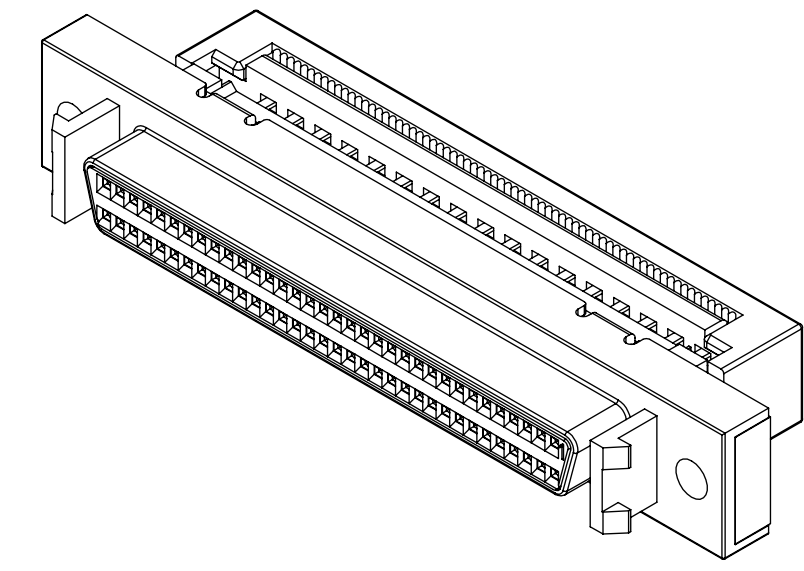
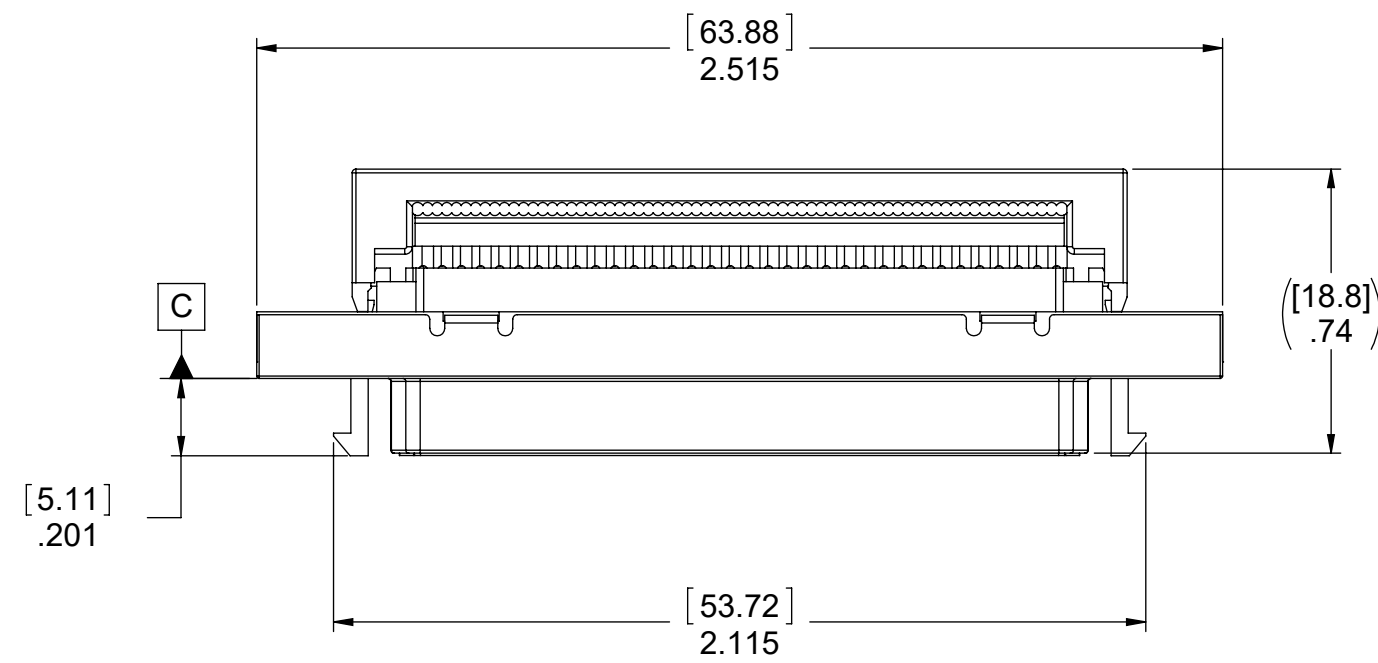
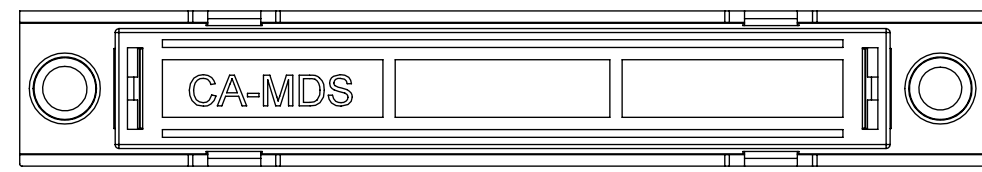
NOTES: UNLESS OTHERWISE SPECIFIED

DIMENSIONS ARE IN INCHES TOLERANCES ARE:	
DECIMALS .XX ±.010	ANGLES ±3°
.XXX ±.005	
DIMENSIONS IN BRACKETS [X.XX] ARE IN MILLIMETERS TOLERANCES ARE:	
DECIMALS .X ±.25	ANGLES ±3°
.XX ±.13	
DO NOT SCALE DRAWING	

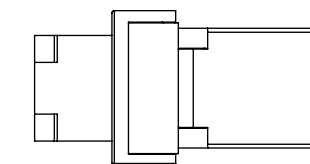
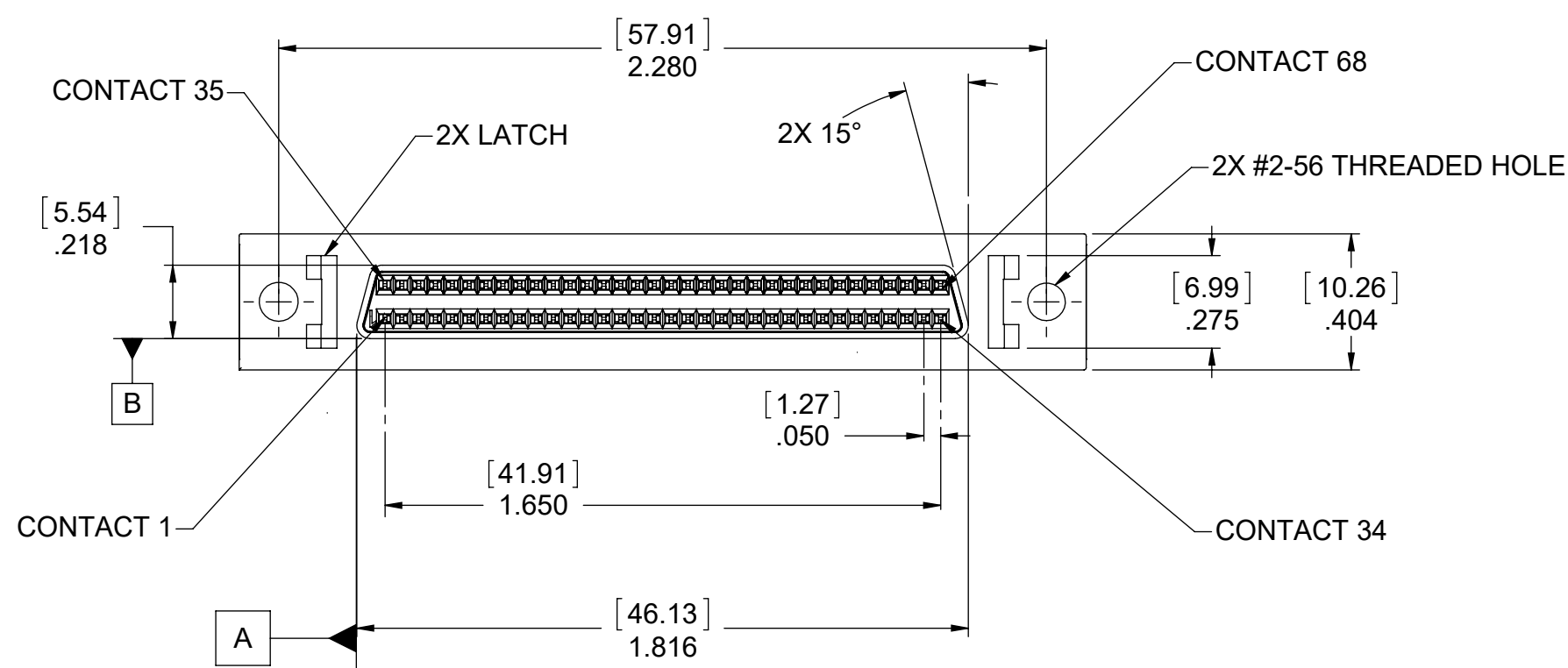
APPROVALS	DATE
DRAWN CUONG P.	01-15-01
CHECKED LEROY FONG	02-07-01
THE INFORMATION AND DESIGN DISCLOSED HEREIN WAS ORIGINATED BY AND IS THE PROPERTY OF CIRCUIT ASSEMBLY CORPORATION. CIRCUIT ASSEMBLY CORPORATION RESERVES ALL PATENT, PROPRIETARY, DESIGN, MANUFACTURING, REPRODUCTION, USE AND SALES RIGHTS THERETO, AND TO ANY ARTICLE DISCLOSED HEREIN EXCEPT TO THE EXTENT RIGHTS ARE EXPRESSLY GRANTED TO OTHERS. THE FOREGOING DOES NOT APPLY TO VENDOR PROPRIETARY RIGHTS.	

CIRCUIT ASSEMBLY CORP. 6 AUTRY SUITE 150, IRVINE, CALIFORNIA 92618			
CONNECTOR ASSEMBLY-MDS SERIES CA-68MDS-X-XX "RoHS"			
SIZE C	CODE IDENT NO. 52072	DRAWING NO. 610262	REV. J
SCALE: 2 : 1		SHEET 1 OF 2	

REVISIONS			
LTR	DESCRIPTION	DATE	APPROVED
	SEE SHEET 1 OF 2		



CA-68 MDS-X-1 SHOWN



DIMENSIONS ARE IN INCHES TOLERANCES ARE:	APPROVALS	DATE
DECIMALS .XX ± .010 ANGLES ± 3°	DRAWN CUONG P.	01-15-01
.XXX ± .005	CHECKED LEROY FONG	02-07-01
DIMENSIONS IN BRACKETS ARE IN MILLIMETERS TOLERANCES ARE:	THE INFORMATION AND DESIGN DISCLOSED HEREIN WAS ORIGINATED BY AND IS THE PROPERTY OF CIRCUIT ASSEMBLY CORPORATION. CIRCUIT ASSEMBLY CORPORATION RESERVES ALL PATENT, PROPRIETARY, DESIGN, MANUFACTURING, REPRODUCTION, USE AND SALES RIGHTS THERETO, AND TO ANY ARTICLE DISCLOSED HEREIN EXCEPT TO THE EXTENT RIGHTS ARE EXPRESSLY GRANTED TO OTHERS. THE FOREGOING DOES NOT APPLY TO VENDOR PROPRIETARY RIGHTS.	
DECIMALS .X ± .25 ANGLES ± 3°	DO NOT SCALE DRAWING	
.XX ± .13		

CIRCUIT ASSEMBLY CORP. 6 AUTRY SUITE 150, IRVINE, CALIFORNIA 92618			
CONNECTOR ASSEMBLY-MDS SERIES CA-68MDS-X-XX "RoHS"			
SIZE	CODE IDENT NO.	DRAWING NO.	REV.
C	52072	610262	J
SCALE: 2:1		SHEET 2 OF 2	