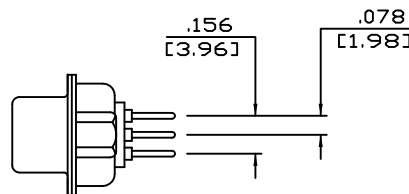
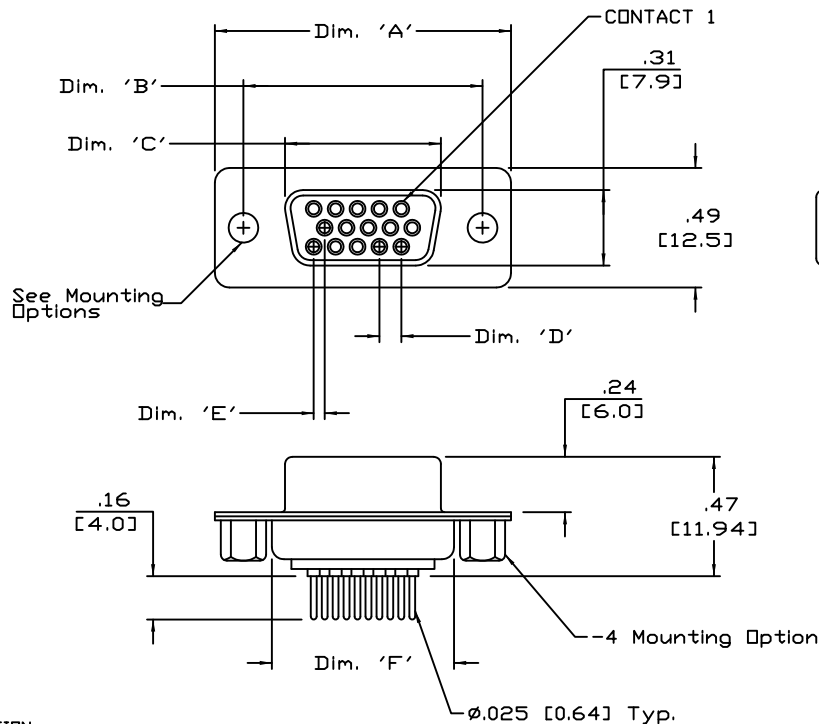


PART NO. CA-XXDHDS-X

REVISIONS

LTR	DESCRIPTION	DATE	APPROVED
A	INITIAL RELEASE SEE DD 3842	DL 1-14-00	A.J.
B	SEE DD 4010	JL 5-12-00	A.J.
C	SEE DD 7524	C.P. 5-28-19	T.L.
D	SEE DD 7629	C.P. 9-20-21	T.L.



CA-XXDHDS-X

NO. OF POSITIONS

HIGH DENSITY D-SUBMINUTURE SOCKET

MOUNTING OPTIONS

BLANK =  $\phi$ .12 [3.1] THRU HOLE  
 4 = 4-40 THREADED INSERT

TABULATION:

NO. OF POSITIONS	DIM. 'A'	DIM. 'B'	DIM. 'C'	DIM. 'D'	DIM. 'E'	DIM. 'F'
15	1.21 [30.8]	.984 [25.00]	.642 [16.30]	.090 [2.29]	.045 [1.14]	.76 [19.2]
26	1.54 [39.2]	1.311 [33.30]	.969 [24.60]	.090 [2.29]	.045 [1.14]	1.09 [27.7]
44	2.09 [53.1]	1.854 [47.10]	1.508 [38.30]	.090 [2.29]	.045 [1.14]	1.62 [41.1]
62	2.73 [69.4]	2.500 [63.50]	2.157 [54.80]	.095 [2.41]	.047 [1.20]	2.26 [57.3]

- MEETS THE REQUIREMENTS OF THE EUROPEAN PARLIAMENT AND THE RESTRICTION OF THE USE OF CERTAIN HAZARDOUS SUBSTANCES IN ELECTRICAL AND ELECTRONIC EQUIPMENT. (RoHS)
- ADDITIONAL PLATING OPTIONS AVAILABLE.
- CONTACT PLATING: GOLD FLASH OVER NICKEL
- MATERIAL:  
 INSULATOR: PLASTIC, UL94V-0, BLACK  
 CONTACT: COPPER ALLOY  
 SHELL: TIN PLATED STEEL  
 NOTES: UNLESS OTHERWISE SPECIFIED

DIMENSIONS ARE IN INCHES TOLERANCES ARE:		APPROVALS		DATE
DECIMALS	ANGLES	DRAWN	D. LANG	1-14-00
.XX $\pm$ .10	$\pm$ 3°	CHECKED	A. JOCHEN	1-14-00
.XXX $\pm$ .005		THE INFORMATION AND DESIGN DISCLOSED HEREIN WAS ORIGINATED BY AND IS THE PROPERTY OF CIRCUIT ASSEMBLY CORPORATION. CIRCUIT ASSEMBLY CORPORATION RESERVES ALL PATENT, PROPRIETARY, DESIGN, MANUFACTURING, REPRODUCTION, USE AND SALES RIGHTS HEREIN, AND TO ANY ARTICLE DISCLOSED HEREIN EXCEPT TO THE EXTENT RIGHTS ARE EXPRESSLY GRANTED TO OTHERS. THE FOREGOING DOES NOT APPLY TO VENDOR PROPRIETARY RIGHTS.		
DIMENSIONS IN BRACKETS (X.XX) ARE IN MILLIMETERS TOLERANCES ARE:		DO NOT SCALE DRAWING		
DECIMALS	ANGLES	SCALE: 2 : 1		
.X $\pm$ .25	$\pm$ 3°	SHEET 1 OF 1		
.XX $\pm$ .13				

<b>CA</b>	CIRCUIT ASSEMBLY CORP.			
	6 AUTRY SUITE 150, IRVINE, CALIFORNIA 92618			
CONNECTOR ASSEMBLY-DHDS SERIES CA-XXDHDS-X, HIGH DENSITY D-SUB "RoHS"				
SIZE	CODE IDENT NO.	DRAWING NO.	REV.	
B	52072	610225	D	