

4
PART NO. CA-02SJC-X

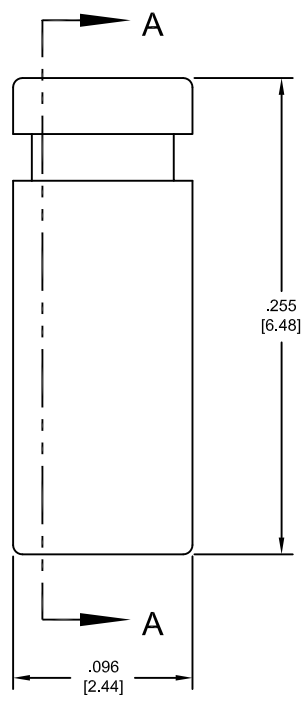
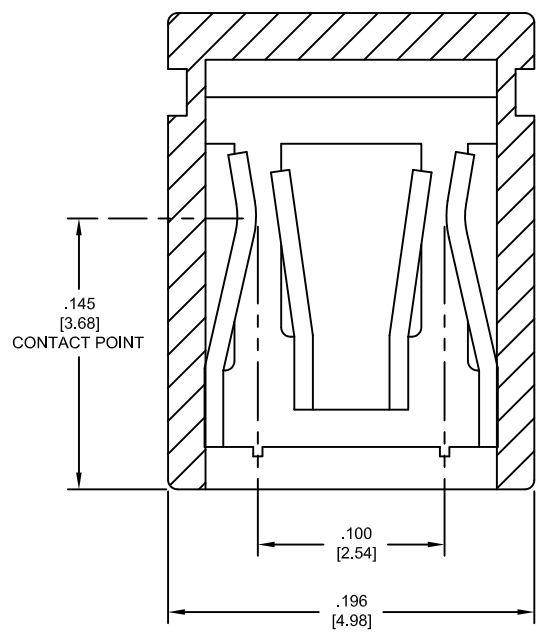
REVISIONS				
LTR	DESCRIPTION	DATE	APPROVED	
A	INITIAL RELEASE SEE DO 4505	C.P. 6-04-01	A.J.	
B	SEE DO 6036	C.P. 3-16-06	I.M.	
C	SEE DO 7521	C.P. 4-19-19	T.L.	
D	SEE DO 7593	C.P. 12-10-20	T.L.	

THE NOMENCLATURE :

CA - 02SJC - X

NO. OF POSITIONS _____
SHORTING JUMPER-CLOSED _____
PLATING _____

A = GOLD FLASH
 B = .000010 [.000025] GOLD



2. SPECIFICATIONS :

ENVIRONMENTAL :
 TEMPERATURE RANGE : -55° TO +125° C

MECHANICAL :
 INSULATOR MATERIAL : GLASS FILLED POLYESTER, BLACK, UL94V-0
 CONTACT MATERIAL : COPPER ALLOY
 CONTACT INSERTION FORCE :
 16 oz[4.4 N] TYP.
 32 oz[8.8 N] MAX.
 CONTACT EXTRACTION FORCE :
 12 oz[3.3 N] TYP.
 7.5 oz[2.1 N] MIN.

ELECTRICAL :
 CURRENT RATING : 2 AMP
 VOLTAGE RATING : 300 Vrms
 INSULATION RESISTANCE : > 5000 Megohms
 CONTACT RESISTANCE : 15 Milliohms MAX.

1. MEETS THE REQUIREMENTS OF THE EUROPEAN PARLIAMENT AND THE RESTRICTION OF THE USE OF CERTAIN HAZARDOUS SUBSTANCES IN ELECTRICAL AND ELECTRONIC EQUIPMENT. (RoHS)

NOTES : UNLESS OTHERWISE SPECIFIED

DIMENSIONS ARE IN INCHES TOLERANCES ARE:		APPROVALS	DATE	CIRCUIT ASSEMBLY CORP. 6 AUTRY SUITE 150, IRVINE, CALIFORNIA 92618 CONNECTOR ASSEMBLY - SJ SERIES SHORTING JUMPER - CLOSED "RoHS"
DECIMALS .XX .XXX	ANGLES ± 3°	DRAWN CUONG.P.	5-31-01	
		CHECKED A.JOCHEN	6-04-01	
DIMENSIONS IN BRACKETS [X.XX] ARE IN MILLIMETERS TOLERANCES ARE: DECIMALS .X .XX .XXX ANGLES ± 3°				THE INFORMATION AND DESIGN DISCLOSED HEREIN WAS ORIGINATED BY AND IS THE PROPERTY OF CIRCUIT ASSEMBLY CORPORATION. CIRCUIT ASSEMBLY CORPORATION RESERVES ALL PATENT, PROPRIETARY, DESIGN, MANUFACTURING, REPRODUCTION, USE AND SALES RIGHTS THEREOF, AND TO ANY ARTICLE DISCLOSED HEREIN EXCEPT TO THE EXTENT RIGHTS ARE EXPRESSLY GRANTED TO OTHERS. THE FOREGOING DOES NOT APPLY TO VENDOR PROPRIETARY RIGHTS.
DO NOT SCALE DRAWING		SIZE C	CODE IDENT NO. 52072	DRAWING NO. 610219
			REV. D	SHEET 1 OF 1

D
C
B
A

D
C
B
A