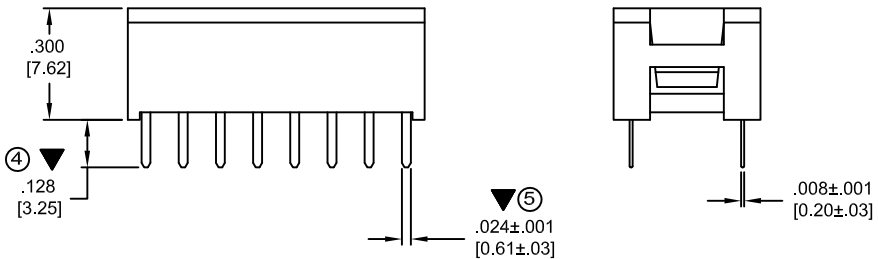
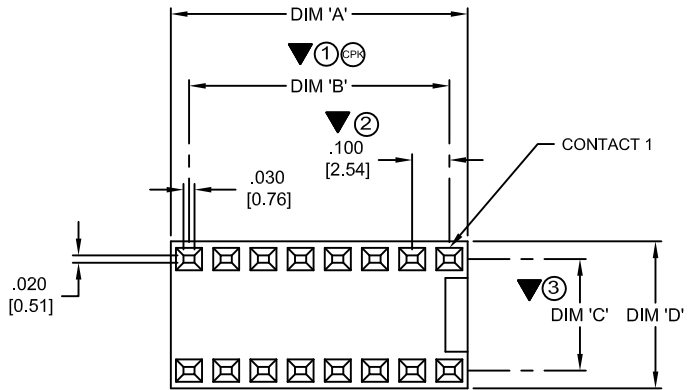


PART NO. CA-XXSE-XSD

REVISIONS				
LTR	DESCRIPTION	DATE	APPROVED	
A	INITIAL RELEASE SEE DO 4539	C.P.	6-25-01	A.J
B	SEE DO 5782	C.P.	5-31-05	A.J.
C	SEE DO 7286	C.P.	8-28-14	I.M.
D	SEE DO 7524	C.P.	5-28-19	T.L.
E	SEE DO 7618	C.P.	6-25-21	T.L.



ORDERING NOMENCLATURE :

CA-XXSE-XSD

NO. OF POS. _____

SOCKET END STACKABLE _____

PLATING _____
 10 = .000010 [0.00025] GOLD OVER .000075 [0.00190] NICKEL
 T = .000250 [0.00635] TIN

TAIL TYPE _____
 SD= SOLDER DIP

SPECIFICATIONS :

ENVIRONMENTAL :

TEMPERATURE RANGE : -65°C TO +125°C

MECHANICAL :

INSULATOR MATERIAL : GLASS FILLED POLYESTER, BLACK, UL94-0
 CONTACT MATERIAL : PHOSPHOR BRONZE
 CONTACT PLATING : SEE ORDERING NOMENCLATURE
 CONTACT INSERTION FORCE : *

6.2 oz. [1.7 N.] TYP
 10.6 oz. [2.9 N.] MAX.

* MEASURED WITH .020 [0.51] DIA. PIN

CONTACT EXTRACTION FORCE : *

1.8 oz. [0.5 N.] TYP
 0.7 oz. [0.2 N.] MIN.

* MEASURED WITH .0145 [0.37] DIA. PIN

RECOMMENDED MATING PIN SIZE : .022 [0.56] W X .020 [0.51] T MAX.
 .010 [0.25] W X .008 [0.20] T MIN.

ELECTRICAL :

CURRENT RATING : 1 AMP
 VOLTAGE RATING : 300 Vrms
 DIELECTRIC WITHSTANDING VOLTAGE : 500 Vrms MIN.
 INSULATION RESISTANCE : > 5000 Megohms
 CONTACT RESISTANCE : 10 Milliohms TYP.
 30 Milliohms MAX.

2. MARK "▽" * DIMENSION MUST BE CONTROLLED.
 MARK "⊗" * IS DIMENSION No.
 MARK "⊕CPK" * MUST BE CONTROLLED BY CPK.
1. MEETS THE REQUIREMENTS OF THE EUROPEAN PARLIAMENT AND THE RESTRICTION OF THE USE OF CERTAIN HAZARDOUS SUBSTANCES IN ELECTRICAL AND ELECTRONIC EQUIPMENT. (RoHS)

NOTES : UNLESS OTHERWISE SPECIFIED

TABULATION :

NO. OF POS	DIM 'A'		DIM 'B'		DIM 'C'		DIM 'D'	
	IN	MM	IN	MM	IN	MM	IN	MM
* 08	.398	[10.11]	.300	[7.62]	.300	[7.62]	.395	[10.03]
14	.698	[17.73]	.600	[15.24]	.300	[7.62]	.395	[10.03]
16	.798	[20.27]	.700	[17.78]	.300	[7.62]	.395	[10.03]

* 08 POSITION DISCONTINUED 05/2005

DIMENSIONS ARE IN INCHES TOLERANCES ARE: DECIMALS ANGLES .XX ± .010 .XXX ± .005	APPROVALS	DATE	CIRCUIT ASSEMBLY CORP. 6 AUTRY SUITE 150, IRVINE, CALIFORNIA 92618 SOCKET STANDARD .300' HIGH CA-XXSE-XSD, END STACKABLE "RoHS"								
	DRAWN CUONG P	6-22-01									
DIMENSIONS IN BRACKETS [X.XX] ARE IN MILLIMETERS TOLERANCES ARE: DECIMALS ANGLES X ± .25 .XX ± .13	CHECKED A. JOCHEN	6-25-01	<table border="1"> <tr> <th>SIZE</th> <th>CODE IDENT NO.</th> <th>DRAWING NO.</th> <th>REV.</th> </tr> <tr> <td>C</td> <td>52072</td> <td>610216</td> <td>E</td> </tr> </table>	SIZE	CODE IDENT NO.	DRAWING NO.	REV.	C	52072	610216	E
	SIZE	CODE IDENT NO.	DRAWING NO.	REV.							
C	52072	610216	E								
DO NOT SCALE DRAWING	SCALE: 4 : 1		SHEET 1 OF 1								