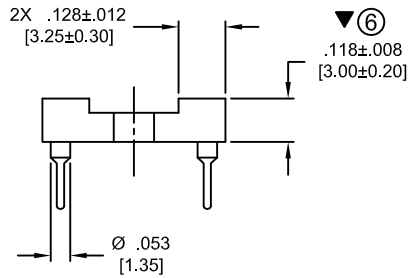
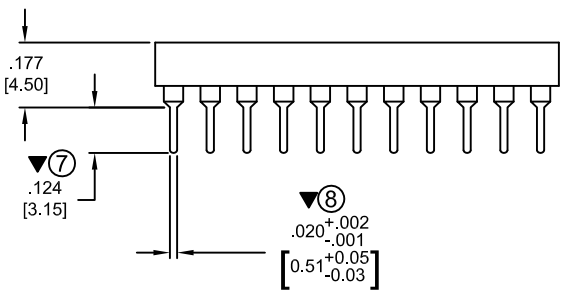
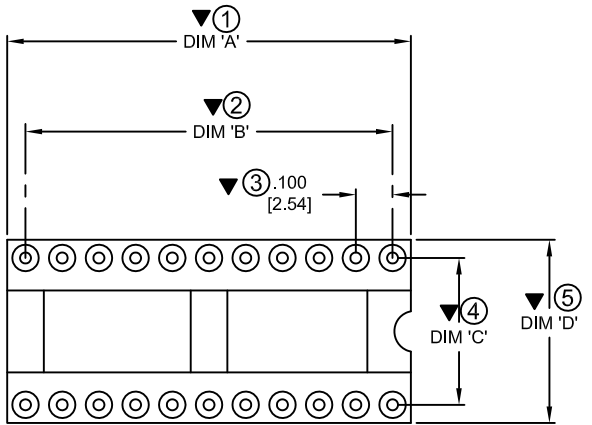


PART NO. CA-XXMS-1X

**CA-22MS-1X SHOWN**



REVISIONS				
LTR	DESCRIPTION	DATE	APPROVED	
A	INITIAL RELEASE SEE DO 4538	C.P. 6-22-01	A.J.	
B	SEE DO 5867	C.P. 9-12-05	L.F.	
C	SEE DO 5897	C.P. 10-10-05	L.F.	
D	SEE DO 7086	C.P. 04-21-11	A.J.	
E	SEE DO 7212	C.P. 10-02-12	I.M.	
F	SEE DO 7396	C.P. 03-29-17	I.M.	
G	SEE DO 7617	C.P. 06-02-21	T.L.	

# CA-XXMS-1X

**NO. OF POS.** \_\_\_\_\_

**SCREW MACHINE CONTACT SOCKET OPEN FRAME**

**TAIL TYPE** \_\_\_\_\_

1 = SOLDER TAIL .124[3.15] X .020 [0.51] ROUND

**PLATING**

C = CONTACT FINGERS : .000015 [.00038] GOLD  
 SLEEVE : .000200 [.00508] TIN  
 UNDERPLATE : .000075 [.00190] NICKEL

F = CONTACT FINGERS : .000030 [.00076] GOLD  
 SLEEVE : .000200 [.00508] TIN  
 UNDERPLATE : .000075 [.00190] NICKEL

3. MARK "X" DIMENSION MUST BE CONTROLLED.

MARK "▼" IS DIMENSION NO.

**2. SPECIFICATIONS :**

**ENVIRONMENTAL :**  
 TEMPERATURE RANGE : -55°C TO +125°C

**MECHANICAL :**

INSULATOR MATERIAL : GLASS FILLED POLYESTER, BLACK, UL94-0  
 CONTACT MATERIAL : BERYLLIUM COPPER  
 SLEEVE MATERIAL : BRASS  
 CONTACT INSERTION FORCE : 7.0 OZ. [1.9 N.] TYP PER PIN  
 CONTACT EXTRACTION FORCE : 3.4 OZ. [1.0 N.] TYP PER PIN  
 \* MEASURED WITH .018 [0.46] DIA. PIN  
 RECOMMENDED MATING PIN SIZE : .015 [0.38] TO .022 [0.56] DIA. PIN

**ELECTRICAL :**

CURRENT RATING : 3 AMP  
 VOLTAGE RATING : 300 Vrms  
 DIELECTRIC WITHSTANDING VOLTAGE : 1000 Vrms FOR 1 MINUTE  
 INSULATION RESISTANCE : > 1000 Megohms  
 CONTACT RESISTANCE : < 5 Milliohms TYP

1. MEETS THE REQUIREMENTS OF THE EUROPEAN PARLIAMENT AND THE RESTRICTION OF THE USE OF CERTAIN HAZARDOUS SUBSTANCES IN ELECTRICAL AND ELECTRONIC EQUIPMENT. (ROHS)

NOTES : UNLESS OTHERWISE SPECIFIED

**TABULATION :**

NO. OF POS	DIM 'A'		DIM 'B'		DIM 'C'		DIM 'D'	
	IN	MM	IN	MM	IN	MM	IN	MM
6	.300	7.62	.200	5.08	.300	7.62	.400	10.16
8	.400	10.16	.300	7.62	.300	7.62	.400	10.16
14	.700	17.78	.600	15.24	.300	7.62	.400	10.16
16	.800	20.32	.700	17.78	.300	7.62	.400	10.16
18	.900	22.86	.800	20.32	.300	7.62	.400	10.16
20	1.000	25.40	.900	22.86	.300	7.62	.400	10.16
22	1.100	27.94	1.000	25.40	.400	10.16	.500	12.70
24	1.200	30.48	1.100	27.94	.600	15.24	.700	17.78
28	1.400	35.56	1.300	33.02	.600	15.24	.700	17.78

DIMENSIONS ARE IN INCHES TOLERANCES ARE: DECIMALS ANGLES .XX ± .010 ± 3° .XXX ± .005	APPROVALS	DATE	<b>CIRCUIT ASSEMBLY CORP.</b> 6 AUTRY SUITE 150, IRVINE, CALIFORNIA 92618 <b>CONNECTOR ASSEMBLY - MS SERIES</b> <b>SCREW MACHINE CONTACT, SOCKET OPEN FRAME</b> <b>CA-XXMS-1X, "RoHS"</b>
	DRAWN CUONG.P	6/21/01	
DIMENSIONS IN BRACKETS [X.XX] ARE IN MILLIMETERS TOLERANCES ARE: DECIMALS ANGLES .X ± .25 ± 3° .XX ± .13	CHECKED A.JOCHEN	6/22/01	SIZE CODE IDENT NO. DRAWING NO. REV. <b>C</b> 52072 <b>610210</b> <b>G</b>
	DO NOT SCALE DRAWING		