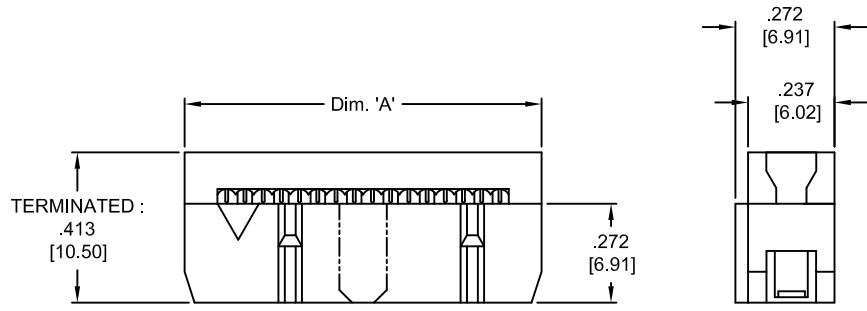


PART NO. CA-XXFID-X-XXX-SR

REVISIONS				
LTR	DESCRIPTION	DATE	APPROVED	
A	INITIAL RELEASE SEE DO 3761	JL 10-25-99	A.J.	
B	SEE DO 3832	JL 12-29-99	A.J.	
C	SEE DO 4151	CLW 09-13-00	A.J.	
D	SEE DO 4291	C.P. 12-28-00	A.J.	
E	SEE DO 4631	C.P. 09-25-01	A.J.	
F	SEE DO 4771	C.P. 02-21-02	A.J.	
G	SEE DO 5061	C.P. 01-03-03	A.J.	
H	SEE DO 5334	C.P. 11-17-03	A.J.	
J	SEE DO 6929	C.P. 12-15-09	A.J.	
K	SEE DO 7616	C.P. 05-24-21	T.L.	



CA-XXFID-X-XXX-SR

NUMBER OF POSITIONS _____

IDT SOCKET, VALUE LINE _____

PLATING _____

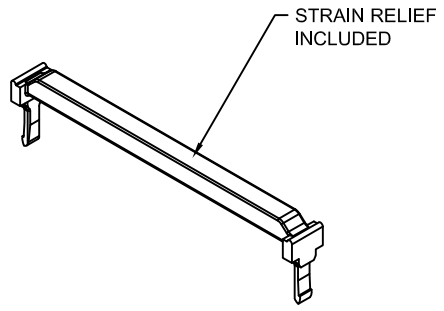
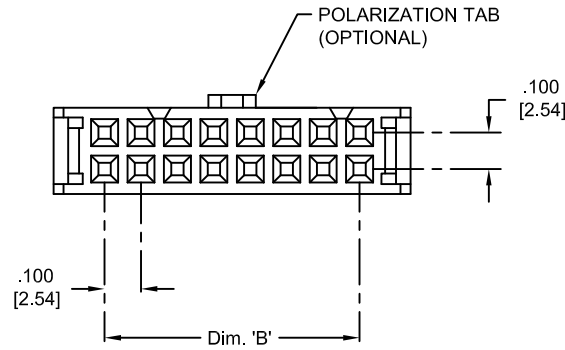
A = GOLD FLASH IN CONTACT AREA
 .000100 [.00254] TIN IN IDC AREA
 .000040 [.00100] NICKEL UNDERPLATE

C = .000015 [.00038] GOLD IN CONTACT AREA
 .000100 [.00254] TIN IN IDC AREA
 .000040 [.00100] NICKEL UNDERPLATE

POLARIZATION _____

BLANK = NO POLARIZATION TAB
 SPT = WITH POLARIZATION TAB

STRAIN RELIEF _____



TABULATION :

POSITION	DIM 'A'		DIM 'B'	
6	0.480	[12.19]	0.200	[5.08]
8	0.580	[14.73]	0.300	[7.62]
10	0.680	[17.27]	0.400	[10.16]
12	0.780	[19.81]	0.500	[12.70]
14	0.880	[22.35]	0.600	[15.24]
16	0.980	[24.89]	0.700	[17.78]
20	1.180	[29.97]	0.900	[22.86]
24	1.380	[35.05]	1.100	[27.94]
26	1.480	[37.59]	1.200	[30.48]
30	1.680	[42.67]	1.400	[35.56]
34	1.880	[47.75]	1.600	[40.64]
36	1.980	[50.29]	1.700	[43.18]
40	2.180	[55.37]	1.900	[48.26]
44	2.380	[60.45]	2.100	[53.34]
50	2.680	[68.07]	2.400	[60.96]
60	3.180	[80.77]	2.900	[73.66]
62	3.280	[83.31]	3.000	[76.20]
64	3.380	[85.85]	3.100	[78.74]

2. MEETS THE REQUIREMENTS OF THE EUROPEAN PARLIAMENT AND THE RESTRICTION OF THE USE OF CERTAIN HAZARDOUS SUBSTANCES IN ELECTRICAL AND ELECTRONIC EQUIPMENT. (RoHS)

1. SPECIFICATIONS :

MATERIAL :

INSULATOR : GLASS FILLED THERMOPLASTIC, BLACK, UL94V-0
 CONTACT : PHOSPHOR BRONZE

ELECTRICAL :

CURRENT RATING : 1 AMP
 DIELECTRIC WITHSTANDING VOLTAGE : 500 V AC (MIN)
 INSULATION RESISTANCE : 1000 MEGOHMS MIN.
 CONTACT RESISTANCE : 30 MILLIOHMS MAX.
 OPERATING TEMPERATURE : -40° C TO +105° C

NOTES : UNLESS OTHERWISE SPECIFIED

DIMENSIONS ARE IN INCHES TOLERANCES ARE :	
DECIMALS .XX ±0.010 .XXX ±0.005	ANGLES ±3°
DIMENSIONS IN BRACKETS [D.XX] ARE MILLIMETERS TOLERANCES ARE :	
DECIMALS .X ±.25 .XX ±.13	ANGLES ±3°
DO NOT SCALE DRAWING	

APPROVALS	DATE
DRAWN J.LANG	10-25-99
CHECKED A. JOCHEN	10-25-99

CIRCUIT ASSEMBLY CORP.
 6 AUTRY SUITE 150, IRVINE, CALIFORNIA 92618

**CONNECTOR ASSEMBLY - FID SERIES
 IDT SOCKET
 "RoHS"**

SIZE C	CODE IDENT NO. 52072	DRAWING NO. 610206	REV. K
-----------	-------------------------	------------------------------	-----------

SCALE: 4:1 SHEET 1 OF 1