

4

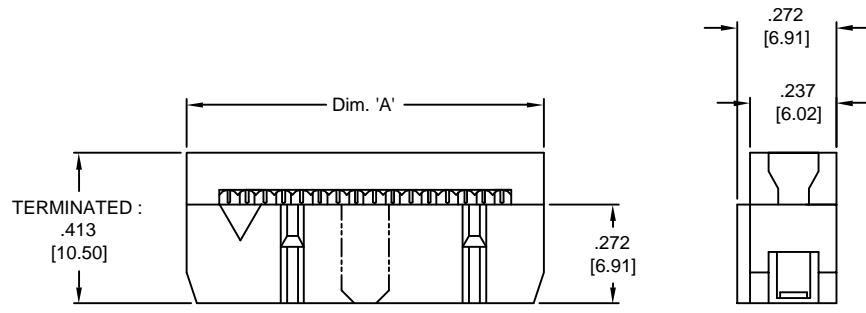
3

2

1

PART NO. CA-XXFID-X-XXX-SR

| REVISIONS | | | | |
|-----------|-----------------------------|---------------|----------|--|
| LTR | DESCRIPTION | DATE | APPROVED | |
| A | INITIAL RELEASE SEE DO 3761 | JL 10-25-99 | A.J. | |
| B | SEE DO 3832 | JL 12-29-99 | A.J. | |
| C | SEE DO 4151 | CLW 09-13-00 | A.J. | |
| D | SEE DO 4291 | C.P. 12-28-00 | A.J. | |
| E | SEE DO 4631 | C.P. 09-25-01 | A.J. | |
| F | SEE DO 4771 | C.P. 02-21-02 | A.J. | |
| G | SEE DO 5061 | C.P. 01-03-03 | A.J. | |
| H | SEE DO 5334 | C.P. 11-17-03 | A.J. | |
| J | SEE DO 6929 | C.P. 12-15-09 | A.J. | |



CA-XXFID-X-XXX-SR

NUMBER OF POSITIONS _____

IDT SOCKET, VALUE LINE _____

PLATING _____

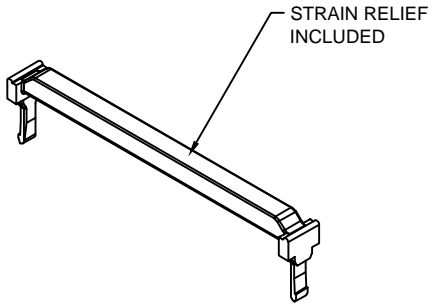
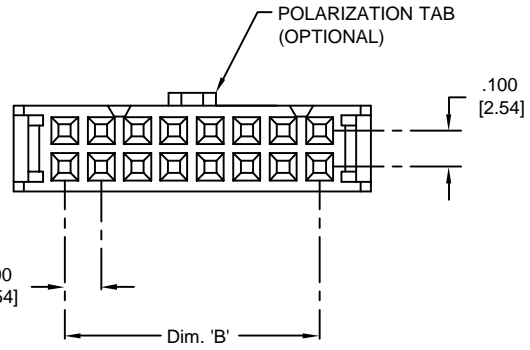
A = GOLD FLASH IN CONTACT AREA
.000100 [.00254] TIN IN IDC AREA
.000040 [.00100] NICKEL UNDERPLATE

C = .000015 [.00038] GOLD IN CONTACT AREA
.000100 [.00254] TIN IN IDC AREA
.000040 [.00100] NICKEL UNDERPLATE

POLARIZATION _____

BLANK = NO POLARIZATION TAB
SPT = WITH POLARIZATION TAB

STRAIN RELIEF _____



TABULATION :

| POSITION | DIM 'A' | | DIM 'B' | |
|----------|---------|---------|---------|---------|
| 6 | 0.480 | [12.19] | 0.200 | [5.08] |
| 8 | 0.580 | [14.73] | 0.300 | [7.62] |
| 10 | 0.680 | [17.27] | 0.400 | [10.16] |
| 12 | 0.780 | [19.81] | 0.500 | [12.70] |
| 14 | 0.880 | [22.35] | 0.600 | [15.24] |
| 16 | 0.980 | [24.89] | 0.700 | [17.78] |
| 20 | 1.180 | [29.97] | 0.900 | [22.86] |
| 24 | 1.380 | [35.05] | 1.100 | [27.94] |
| 26 | 1.480 | [37.59] | 1.200 | [30.48] |
| 30 | 1.680 | [42.67] | 1.400 | [35.56] |
| 34 | 1.880 | [47.75] | 1.600 | [40.64] |
| 36 | 1.980 | [50.29] | 1.700 | [43.18] |
| 40 | 2.180 | [55.37] | 1.900 | [48.26] |
| 44 | 2.380 | [60.45] | 2.100 | [53.34] |
| 50 | 2.680 | [68.07] | 2.400 | [60.96] |
| 60 | 3.180 | [80.77] | 2.900 | [73.66] |
| 62 | 3.280 | [83.31] | 3.000 | [76.20] |
| 64 | 3.380 | [85.85] | 3.100 | [78.74] |

2. MEETS THE REQUIREMENTS OF DIRECTIVE 2002/95/EC OF THE EUROPEAN PARLIAMENT AND OF THE COUNCIL OF 27 JANUARY 2003 ON THE RESTRICTION OF THE USE OF CERTAIN HAZARDOUS SUBSTANCES IN ELECTRICAL AND ELECTRONIC EQUIPMENT. (ROHS)

1. SPECIFICATIONS :

- MATERIAL :**
INSULATOR : GLASS FILLED THERMOPLASTIC, BLACK, UL94V-0
CONTACT : PHOSPHOR BRONZE
- ELECTRICAL :**
CURRENT RATING : 1 AMP
DIELECTRIC WITHSTANDING VOLTAGE : 500 V AC (MIN)
INSULATION RESISTANCE : 1000 MEGOHMS MIN.
CONTACT RESISTANCE : 30 MILLIOHMS MAX.
OPERATING TEMPERATURE : -40° C TO +105° C

NOTES : UNLESS OTHERWISE SPECIFIED

| | | | |
|--|---|-------------------------|---|
| DIMENSIONS ARE IN INCHES TOLERANCES ARE : | APPROVALS | DATE | CIRCUIT ASSEMBLY CORP. 18 THOMAS ST., IRVINE, CALIFORNIA 92618-2777 |
| DECIMALS ANGLES .XX ±.010 ±3° .XXX ±.005 | DRAWN J.LANG | 10-25-99 | |
| DIMENSIONS IN BRACKETS [X.XX] ARE MILLIMETERS TOLERANCES ARE : | CHECKED A. JOCHEN | 10-25-99 | CONNECTOR ASSEMBLY - FID SERIES IDT SOCKET "ROHS COMPLIANT" |
| DECIMALS ANGLES .X ±.25 ±3° .XX ±.13 | THE INFORMATION AND DESIGN DISCLOSED HEREIN WAS ORIGINATED BY AND IS THE PROPERTY OF CIRCUIT ASSEMBLY CORPORATION. CIRCUIT ASSEMBLY CORPORATION RESERVES ALL PATENT, PROPRIETARY, DESIGN, MANUFACTURING, REPRODUCTION, USE AND SALES RIGHTS THERE TO, AND TO ANY ARTICLE DISCLOSED HEREIN EXCEPT TO THE EXTENT RIGHTS ARE EXPRESSLY GRANTED TO OTHERS. THE FOREGOING DOES NOT APPLY TO VENDOR PROPRIETARY RIGHTS. | | |
| DO NOT SCALE DRAWING | SIZE C | CODE IDENT NO. 52072 | DRAWING NO. 610206 |
| | SCALE: 4 : 1 | | REV. J |
| | | | SHEET 1 OF 1 |

4

3

2

1