



## HDMI TYPE A BOARD MOUNT RECEPTACLE, RIGHT ANGLE, SMT

### SPECIFICATIONS

#### ENVIRONMENTAL

Temperature Range: -20°C to +85°C

#### MECHANICAL

Insulator Material: Glass-filled thermoplastic, black, UL94V-0

Contact Material: Phosphor Bronze

Contact Plating: See options below

Shell Material: Brass

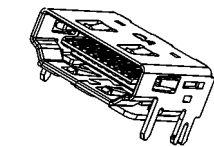
Shell Plating: Nickel

#### ELECTRICAL

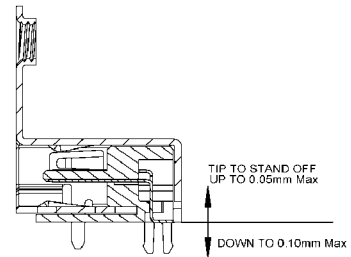
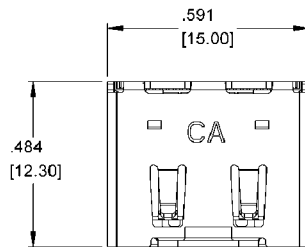
Current Rating: 1 AMP

CA-19HMSR- PLATING -3 FLANGE MNTG

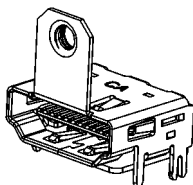
PLATING	FLANGE	MOUNTING
C = 15μ IN gold	0 = without flange	1 = thru hole
F = 30μ IN gold	1 = with flange	2 = SMT
		3 = forklock



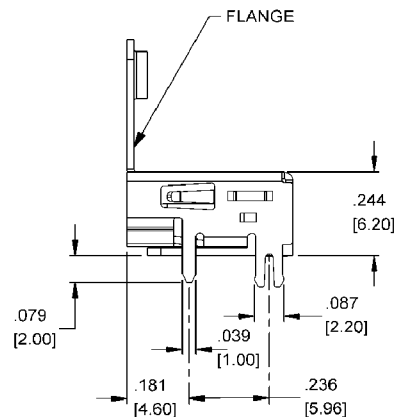
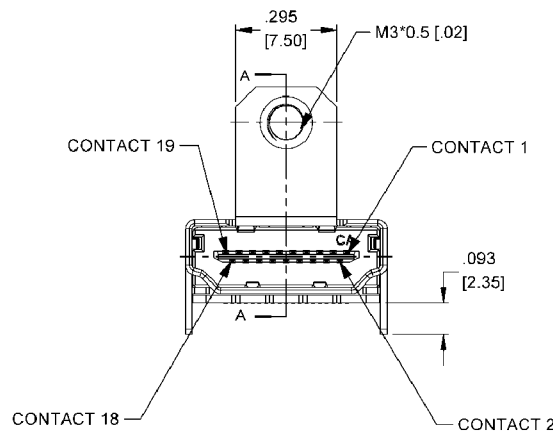
CA-19HMSR-X-303



### SECTION A-A



CA-19HMSR-X-313



Mating Product: HMP (page 6), HDMI cable assemblies (page 7)  
Drawing Number: CA-610320

HDMI, the HDMI logo and High-Definition Multimedia Interface, are trademarks or registered trademarks of HDMI Licensing, LLC.



For more information please contact our customer service department or visit our website at [circuitassembly.com](http://circuitassembly.com)

Circuit Assembly Worldwide Hqtrs. 6 Autry suite 150, Irvine, CA 92618 USA Tel 1-949-855-7887