

FIGURE 1. DIMENSIONS AND CONFIGURATIONS

DIMENSIONS ARE IN INCHES[METRIC]  
TOLERANCES ARE:  
DECIMALS ANGLES  
.XX ±.010 [.3] ± 2°  
.XXX ±.005 [.13]  
TOLERANCES ARE NON-CUMULATIVE

THE INFORMATION AND DESIGN DISCLOSED HEREIN WAS ORIGINATED BY AND IS THE PROPERTY OF CIRCUIT ASSEMBLY CORPORATION. CIRCUIT ASSEMBLY CORPORATION RESERVES ALL PATENT, PROPRIETARY, DESIGN, MANUFACTURING, REPRODUCTION, USE AND SALES RIGHTS THERETO, AND TO ANY ARTICLE DISCLOSED HEREIN EXCEPT TO THE EXTENT RIGHTS ARE EXPRESSLY GRANTED TO OTHERS. THE FOREGOING DOES NOT APPLY TO VENDOR PROPRIETARY RIGHTS.

APPROVALS		DATE
DRAWN	A. JOCHEN	05-05-83
CHECKED	J. MCA	05-06-83

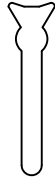


**CIRCUIT ASSEMBLY CORP.**  
6 AUTRY SUITE 150, IRVINE, CALIFORNIA 92618

**SPECIFICATION - CONNECTOR-IDS2  
INSULATION DISPLACEMENT SOCKET,  
"RoHS"**

REV	DESC.	DATE	INT
B	ECO 1205	04-18-89	JMCA
C	ECO 1750	4-7-92	A.J.
D	DO 4073	6-30-00	A.J.
E	DO 5770	5-12-05	A.J.
F	DO 5802	6-16-05	A.J.
G	DO 7551	2-14-20	T.L.
H	DO 7629	9-20-21	T.L.

SIZE	CODE IDENT NO.	DRAWING NO.	REV.
<b>A</b>	<b>52072</b>	<b>100024</b>	<b>H</b>



POLARIZING KEY ( OPTIONAL)  
 INSTALLED IN MATING POST  
 RECEPTACLE HOLES  
 ( P/N CA-IDSK)

NO. OF POSITIONS	A		B		C	
	IN	MM	IN	MM	IN	MM
10	.680	17.27	.400	10.16	-	-
14	.880	22.35	.600	15.24	-	-
16	.980	24.89	.700	17.78	-	-
20	1.180	29.97	.900	22.86	-	-
26	1.480	37.59	1.200	30.48	-	-
34	1.880	47.75	1.600	40.64	-	-
40	2.180	55.37	1.900	48.26	-	-
50	2.680	68.07	2.400	60.96	.900	22.86
60	3.180	80.77	2.900	73.66	1.100	27.94

TABLE 1. SIZES AND CHARACTERISTICS



CIRCUIT ASSEMBLY CORP.  
 6 AUTRY SUITE 150, IRVINE, CALIFORNIA 92618

SIZE  
**A**

CODE IDENT NO.  
**52072**

DRAWING NO.  
**100024**

REV.  
**H**

DRAWN:

ISSUED:

SCALE:

DO NOT SCALE DRAWING

SHEET 2 OF 9

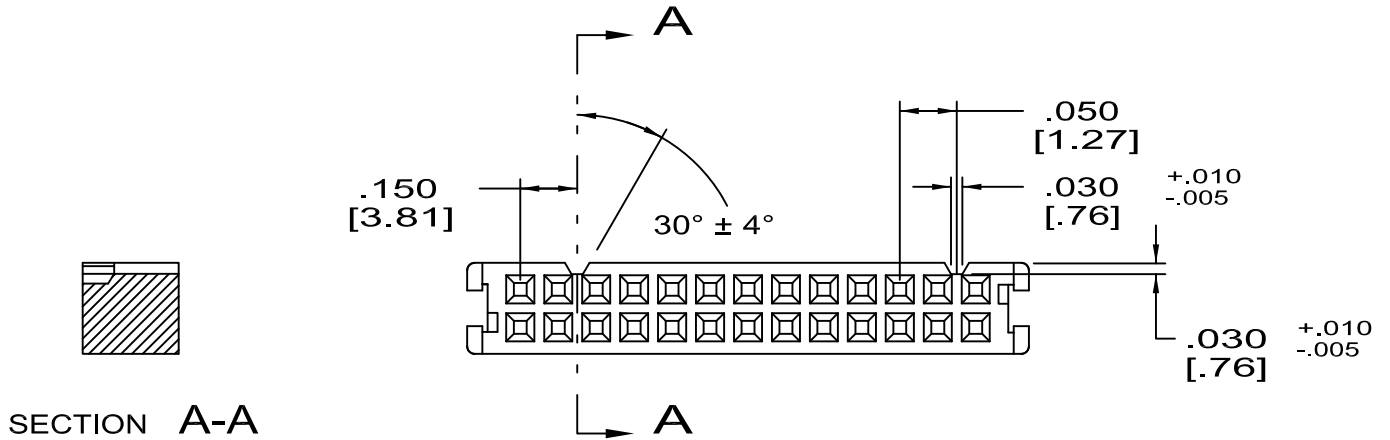


FIGURE 2. POLARIZING FEATURE DETAIL

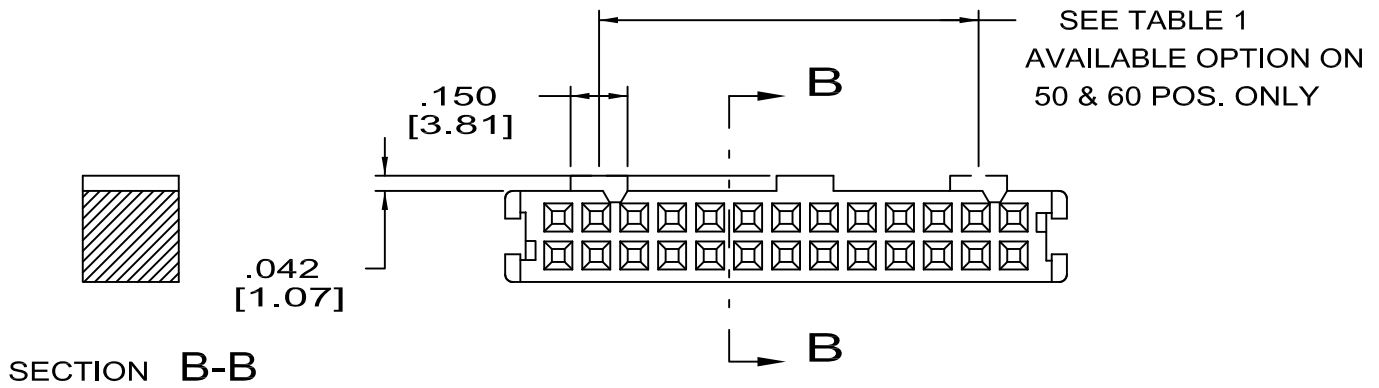


FIGURE 3. POLARIZING TAB ( S )



CIRCUIT ASSEMBLY CORP.  
6 AURTY SUITE 150, IRVINE, CALIFORNIA 92618

SIZE

A

CODE IDENT NO.

52072

DRAWING NO.

100024

REV.

H

DRAWN:

ISSUED:

SCALE:

DO NOT SCALE DRAWING

SHEET 3 OF 9

# 1. MECHANICAL

## A. INTERFACE:

ROUND CONDUCTOR, 28 AWG STRANDED, 30 AWG SOLID, FLAT CABLE, .050 CENTERS TO .100 X .100 INCH SPACED; .025 INCH ROUND OR SQUARE POSTS, .230 MIN. TO .250 MAX. LENGTH.

## B. MATERIALS:

BODY, COVER AND POLARIZING KEY

POLYESTER (TYPE PBT) 15% GLASS REINFORCED, FLAMMABILITY RATING UL 94V-0, COLOR: GRAY

STRAIN RELIEF

POLYESTER (TYPE PBT) NON-REINFORCED, FLAMMABILITY RATING UL 94V-0, COLOR: GRAY

CLIP (COVER/BODY RETAINER)

STAINLESS STEEL (PASSIVATED) ALLOY 302, 3/4 HARD

CONTACT

GRADE C PHOSPHOR BRONZE, ALLOY 521, 110-120 KPSI.

CONTACT FINISH

SEE FIGURE 4 AND TABLE 2

## C. PERFORMANCE:

CONTACT INSERTION FORCE WITH .025 INCH SQ. GOLD PLATED TEST PIN

8 OZ. (2 N) MAX.  
4 OZ. (1 N) TYP.

CONTACT WITHDRAWAL FORCE WITH .025 INCH SQ. GOLD PLATED TEST PIN

2 OZ. (.5 N) MIN.  
2.75 OZ. (.6 N) TYP.

NORMAL FORCE

2.64 OZ. (.6 N) NOM.

CABLE PULL TEST-VERTICAL NO STRAIN RELIEF (SEE FIGURE 5)

1 LB. (454 GRAMS) /CONTACT MIN.

CABLE PULL TEST-HORIZONTAL NO STRAIN RELIEF (SEE FIGURE 5)

1 LB. (454 GRAMS) /CONTACT MIN.

CABLE PULL TEST-VERTICAL WITH STRAIN RELIEF

20 LB. (9072 GRAMS) / CONNECTOR MIN.



**CIRCUIT ASSEMBLY CORP.**  
6 AUTRY SUITE 150, IRVINE, CALIFORNIA 92618

SIZE

**A**

CODE IDENT NO.

**52072**

DRAWING NO.

**100024**

REV.

**H**

DRAWN:

ISSUED:

SCALE:

DO NOT SCALE DRAWING

SHEET 4 OF 9

## 2. ENVIROMENTAL

TEMPERATURE RATING: -55°C TO +125°C

## 3. ELECTRICAL

### A. RATING:

CURRENT 1 AMP.

VOLTAGE 300 VRMS

### B. PERFORMANCE:

DIELECTRIC WITHSTANDING VOLTAGE ( AT SEA LEVEL) 500 VRMS MIN.

INSULATION RESISTANCE >5000 MEGOHMS

CONTACT RESISTANCE <10 MILLIOHMS TYP.  
( SEE FIG. 6) 25 MILLIOHMS MAX.


NOTE: ELECTRICAL AND MECHANICAL PERFORMANCE REQUIREMENTS WILL BE MET AFTER 25 INSERTIONS AND EXTRACTIONS USING A .025 INCH SQUARE TEST PIN.

## 4. UNDERWRITERS LABORATORIES RECOGNITION

CONNECTOR IS A RECOGNIZED COMPONENT UNDER THE PLUG RECEPTACLES AND PLUGS. FILE NUMBER E95981.

## 5. "RoHS COMPLIANT"

MEEST THE REQUIREMENTS OF THE EUROPEAN PARLIAMENT AND THE RESTRICTION OF THE USE OF CERTAIN HAZARDOUS SUBSTANCES IN ELECTRICAL AND ELECTRONIC EQUIPMENT. ( RoHS)

	CIRCUIT ASSEMBLY CORP. 6 AUTRY SUITE 150, IRVINE, CALIFORNIA 92618	SIZE	CODE IDENT NO.	DRAWING NO.	REV.
		A	52072	100024	H
DRAWN:	ISSUED:	SCALE:	DO NOT SCALE DRAWING	SHEET 5 OF 9	

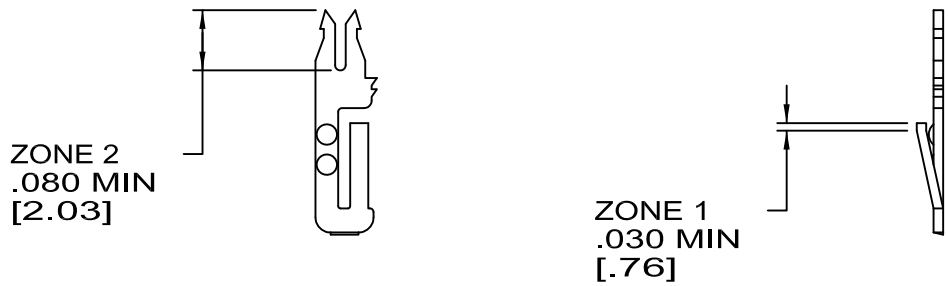


FIGURE 4. PLATING ZONE LOCATION

CA-XXIDS2- <input type="checkbox"/>	F	C	T
ZONE 1	30 MICROINCHES [.0008] SELECTIVE GOLD	OVERALL 15 MICROINCHES [.0004] GOLD	OVERALL 150 MICROINCHES [.0038] TIN
ZONE 2	3 MICROINCHES [.000076] MIN. GOLD FLASH		
UNDERPLATE - OVERALL 75 MICROINCHES [.0019] NICKEL			

TABLE 2. PLATING TYPE AND THICKNESS

NOTE: PLATING MEETS THE REQUIREMENTS OF CA SPECIFICATION NO. 100003 - QUALITY ASSURANCE PLATING SPECIFICATION CONTACTS AND PINS.

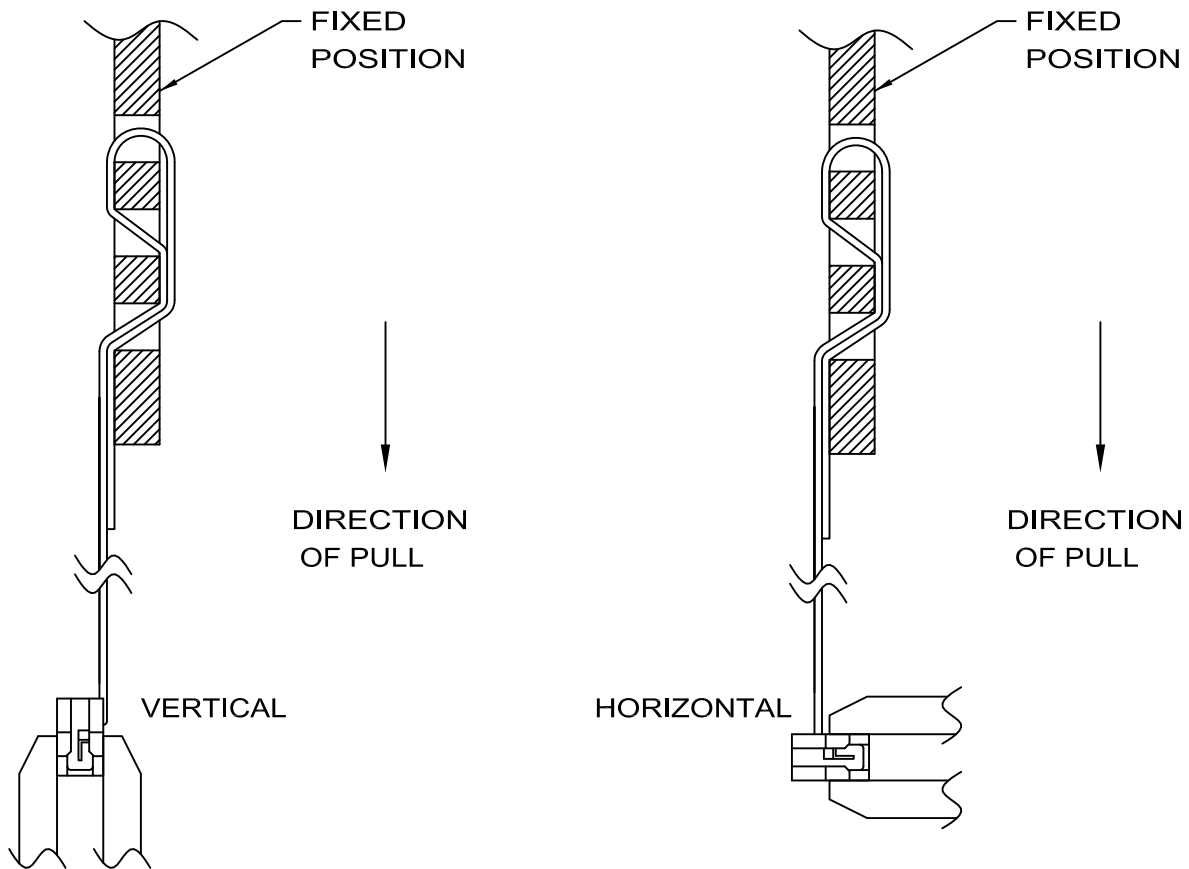



FIGURE 5. CABLE PULL TEST (LESS STRAIN RELIEF)

NOTES:

1. RESULTS OBTAINED AT POINT OF CABLE SEPARATION FROM CONTACT.
2. RATE OF PULL APPROX. 1/8 INCH PER MINUTE.
3. TENSILE TESTER USED TO OBTAIN RESULTS WAS A W.C. DILLON MODEL LN.

	<b>CIRCUIT ASSEMBLY CORP.</b> 6 AUTRY SUITE 150, IRVINE, CALIFORNIA 92618		SIZE <b>A</b>	CODE IDENT NO. <b>52072</b>	DRAWING NO. <b>100024</b>	REV. <b>H</b>
	DRAWN:	ISSUED:	SCALE:	DO NOT SCALE DRAWING	SHEET 7 OF 9	

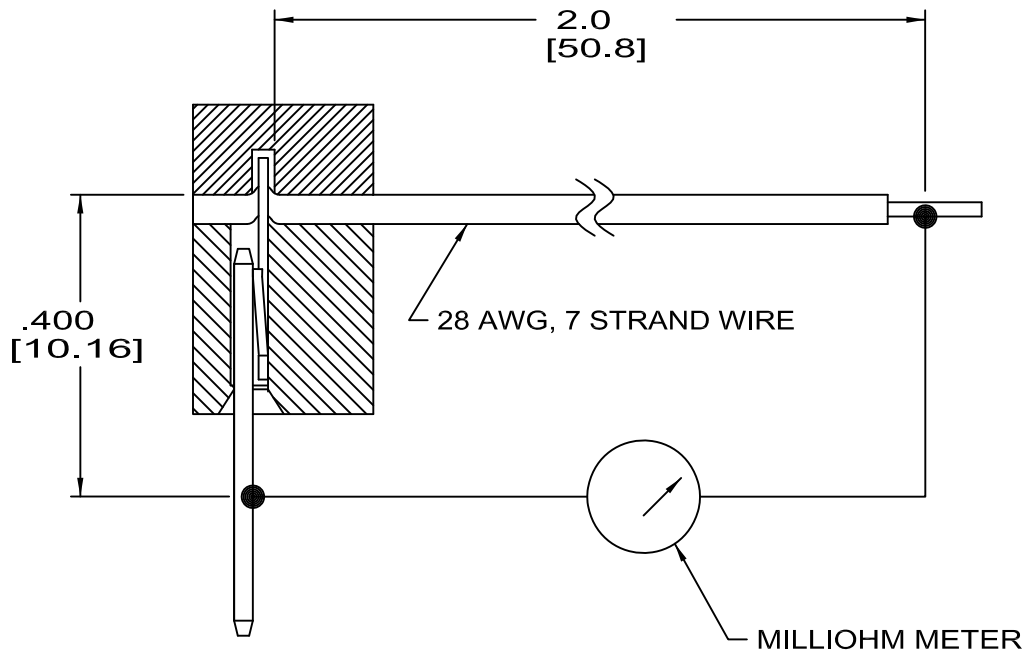


FIGURE 6. CONTACT RESISTANCE MEASUREMENT

NOTES:

1. RESULTS DO NOT INCLUDE THE RESISTANCE OF THE 2" LENGTH OF CABLE.
2. MILLIOHM METER USED TO OBTAIN RESULTS WAS A KEITHLEY INSTRUMENTS MODEL 503 (4 WIRE MEASUREMENT SYSTEM) ON THE 10 MILLIOHM SCALE.



CIRCUIT ASSEMBLY CORP.  
6 AUTRY SUITE 150, IRVINE, CALIFORNIA 92618

SIZE  
**A**

CODE IDENT NO.  
**52072**

DRAWING NO.  
**100024**

REV.  
**H**

DRAWN:

ISSUED:

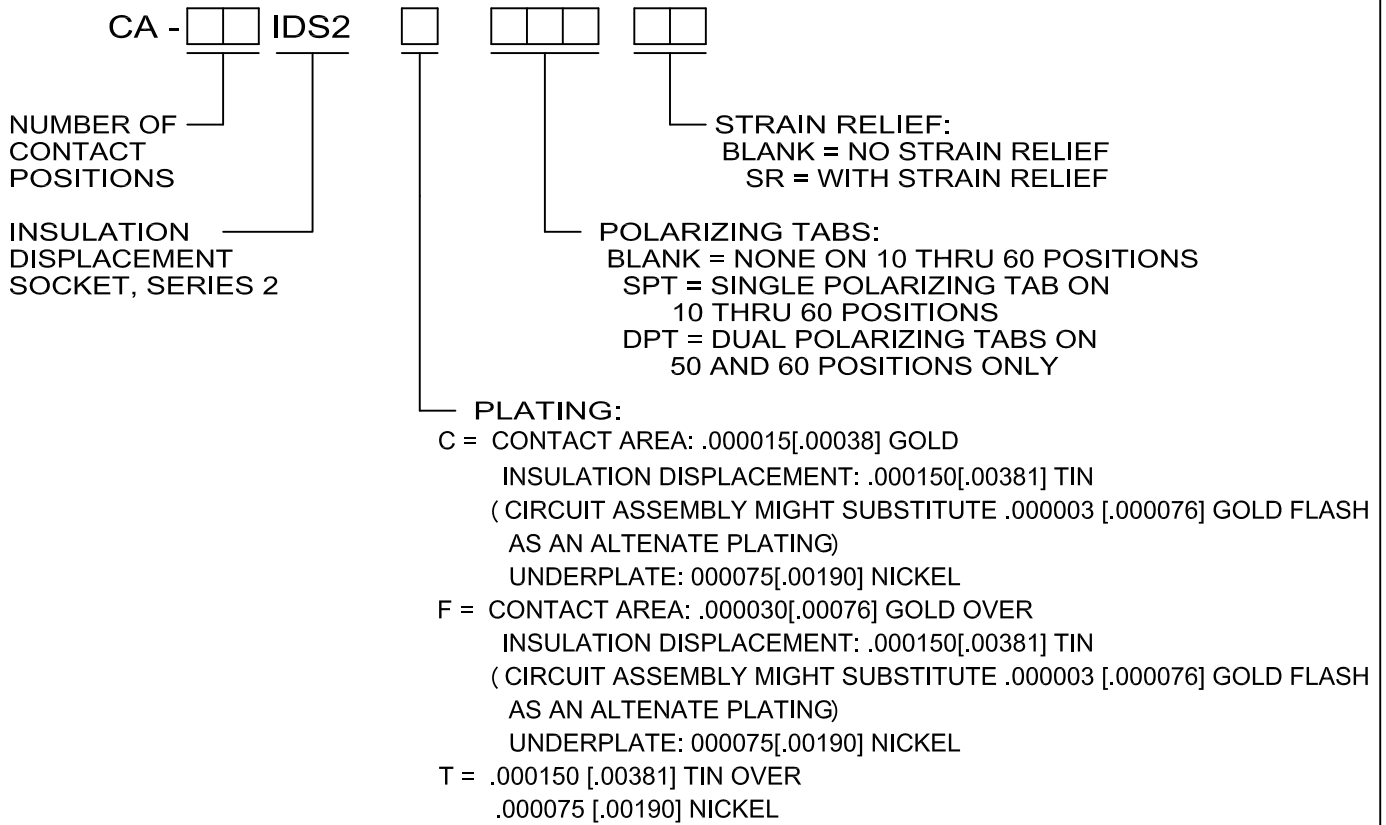
SCALE:

DO NOT SCALE DRAWING

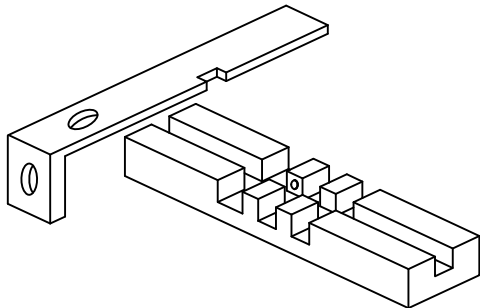
SHEET 8 OF 9



## 6. ORDERING NOMENCLATURE



## 7. RECOMMEND ASSEMBLY TOOLING



IDS2 INSERT & CABLE GUIDE, COLOR: RED  
ORDER P/N CA-120018

ARBOR PRESS, SUPPLIED AS SHOWN  
ORDER P/N CA-120008

CONNECTOR IS FIRMLY LOCATED IN  
A POSITION OVER THE CENTER OF  
THE PRESSING BAR.  
CABLE GUIDE WILL INSURE THAT  
THE CABLE EXISTS PERPENDICULAR  
TO THE CONNECTOR



CIRCUIT ASSEMBLY CORP.  
6 AUTRY SUITE 150, IRVINE, CALIFORNIA 92618

SIZE  
**A**

CODE IDENT NO.  
**52072**

DRAWING NO.  
**100024**

REV.  
**H**

DRAWN:

ISSUED:

SCALE:

DO NOT SCALE DRAWING

SHEET 9 OF 9