



Pitch: .050"

CA-40SCA2PR-1F

SCA-2, .050" CENTER PLUG SOLDER TAIL, RIGHT ANGLE

SPECIFICATIONS

Meets: SCSI-3 (80 position) & FC-AL (40 position)
as defined in SFF8451

ENVIRONMENTAL

Temperature Range: -55°C to +85°C

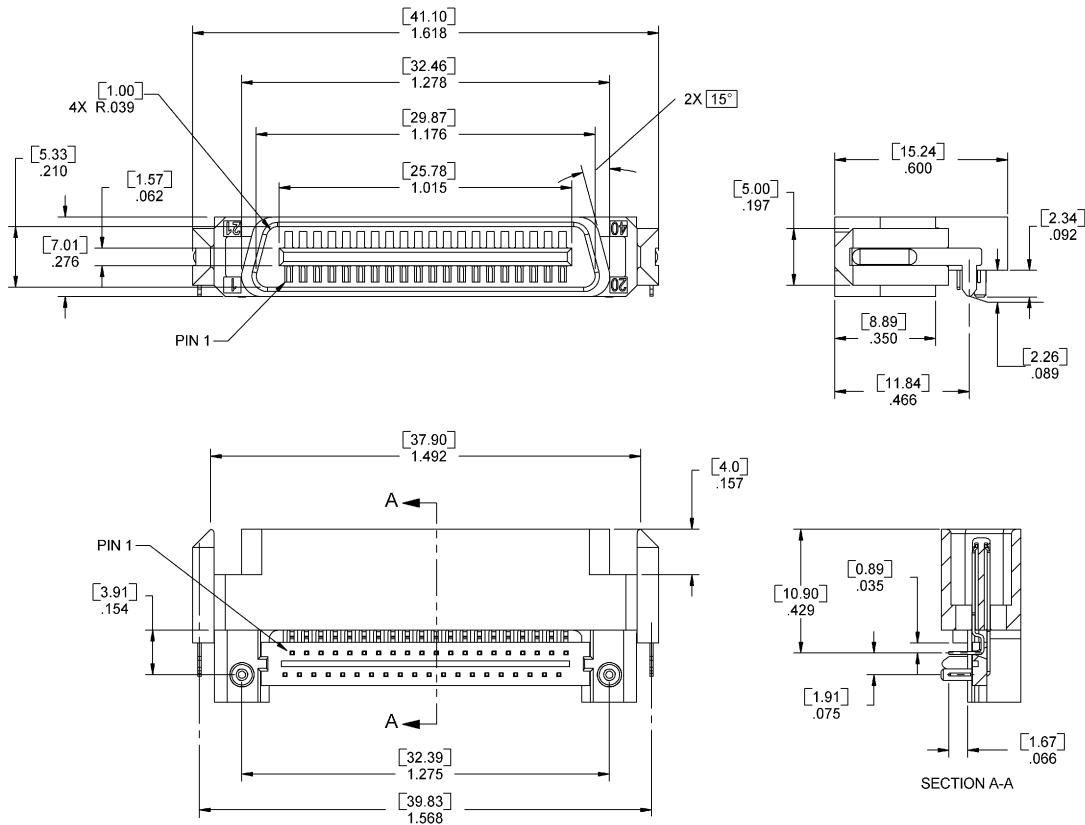
MECHANICAL

Insulator Material: High temperature thermoplastic
black, UL94V-0
Contact Material: Phosphor Bronze
Clip Material: Brass
Contact Plating: Mating area: 30µ IN gold
Tail area: 150µ IN tin
Underplate: 50µ IN nickel

ELECTRICAL

Current Rating: 1 AMP

Consult factory for additional options



Mating Product: SCA2 (pages 56-60)

Drawing Number: CA-620463



For more information please contact our customer service department or visit our website at circuitassembly.com

Circuit Assembly Worldwide Hqtrs. 18 Thomas Street, Irvine, CA 92618-2777 USA Tel 1-949-855-7887 Fax 1-949-855-4298