

2



## SERIAL ATA HOST PLUG SHIELDED, SMT

### SPECIFICATIONS

#### ENVIRONMENTAL

Temperature Range: -40°C to +105°C

#### MECHANICAL

Insulator Material: High-temperature thermoplastic, UL94V-0

Contact Material: Copper Alloy

Contact Plating: See options below

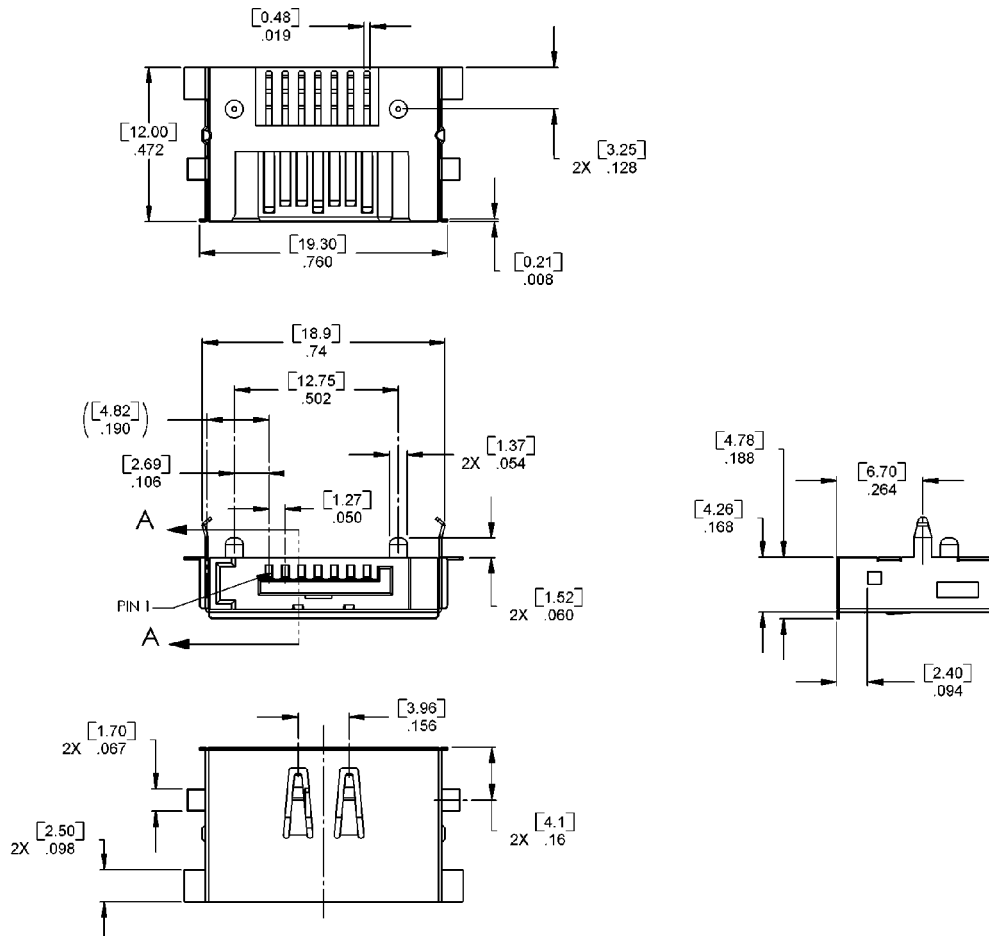
Shell Material: Steel, nickel plated

#### ELECTRICAL

Current Rating: 1 AMP

CA-07SAHPRS- PLATING -0

PLATING	
A	= gold flash
C	= 15μ IN gold
D	= 5μ IN gold
F	= 30μ IN gold



Mating Product: SAHS (pages 26-29)  
Drawing Number: CA-617062

