

2



SERIAL ATA HOST PLUG RIGHT ANGLE, THROUGH HOLE

SPECIFICATIONS

ENVIRONMENTAL

Temperature Range: -20°C to +85°C

MECHANICAL

Insulator Material: High-temperature thermoplastic, UL94V-0

Contact Material: Copper Alloy

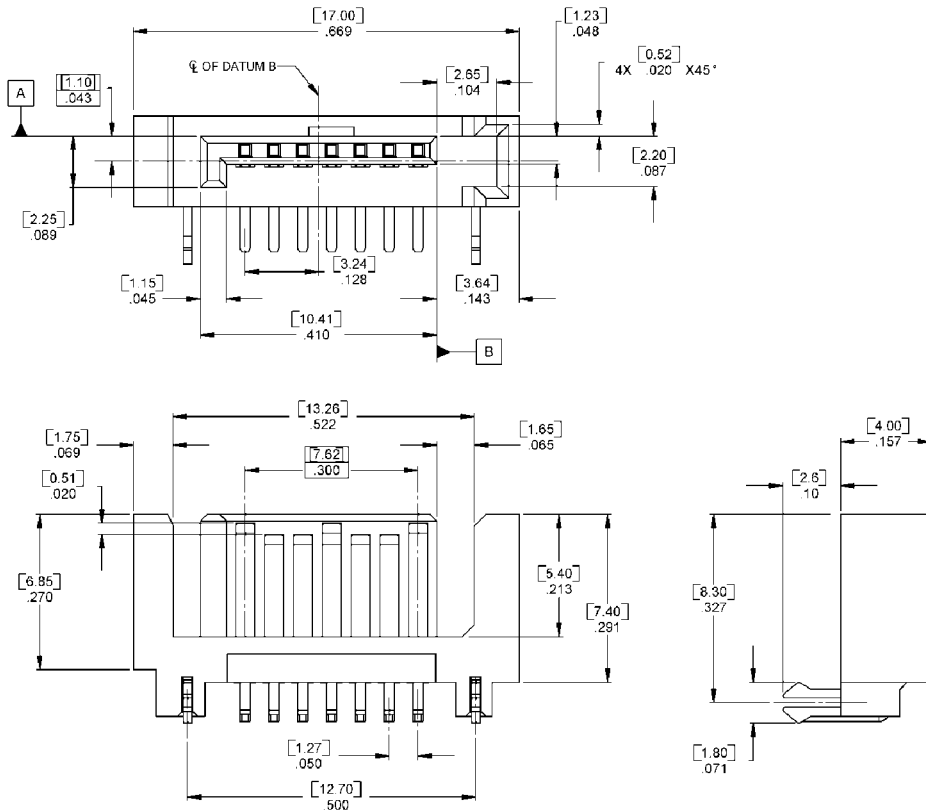
Contact Plating: See options below

ELECTRICAL

Current Rating: 1 AMP

CA-07SAHPR-PLATING-1-1

PLATING	
A	= gold flash
C	= 15μ IN gold
D	= 5μ IN gold
F	= 30μ IN gold



Mating Product: SAHS (pages 26-29)

Drawing Number: CA-620491

