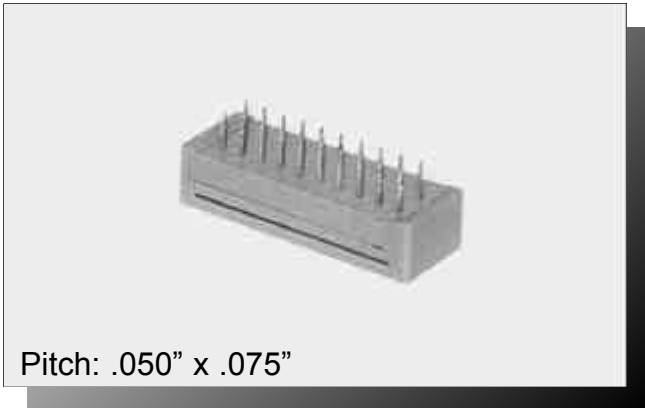


3



Pitch: .050" x .075"

INSULATION DISPLACEMENT TRANSITION BOARD CONNECTOR

SPECIFICATIONS

ENVIRONMENTAL

Temperature Range: -55°C to +105°C

MECHANICAL

Insulator Material: Glass-filled polyester, blue, UL94V-0

Contact Material: Phosphor Bronze

Contact Plating: Tin

Terminates To: .025" cable, 30 AWG

ELECTRICAL

Current Rating: 0.5 AMP

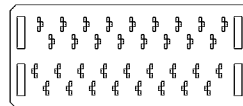
Consult factory for additional options



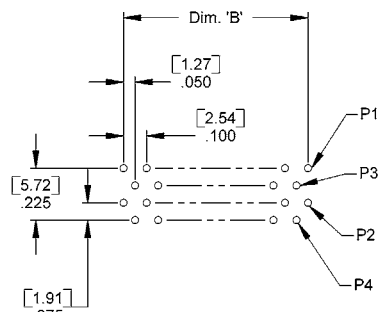
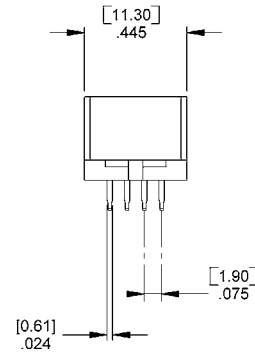
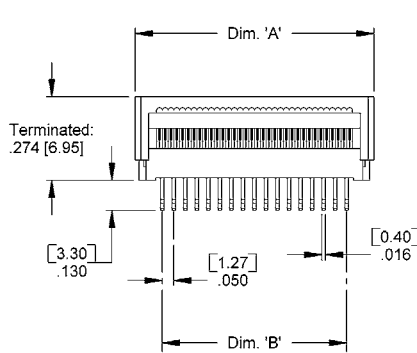
Patented 4 Point/3 Blade

CA-POSITION NFT-1T

POSITION	
10	40
16	60
20	64
26	100
34	



DIMENSIONS		
Position	A	B
10	.436 [11.08]	.200 [5.08]
16	.586 [14.89]	.350 [8.89]
20	.686 [17.43]	.450 [11.43]
26	.836 [21.24]	.600 [15.24]
34	1.036 [26.32]	.800 [20.32]
40	1.186 [30.13]	.950 [24.13]
60	1.686 [42.83]	1.450 [36.83]
64	1.786 [45.37]	1.550 [39.37]
100	2.686 [68.23]	2.450 [62.23]



Recommended PCB Layout
(Component Side)

CA-34NFT-1T shown

Mating Product: PCB Mount
Drawing Number: CA-620346

