



## EXTERNAL SERIAL ATA PLUG VERTICAL, THRU HOLE

### SPECIFICATIONS

#### ENVIRONMENTAL

Temperature Range:

#### MECHANICAL

Insulator Material: High temperature thermoplastic, black, UL94V-0

Shell Material: Phosphor Bronze

Contact Material: Brass

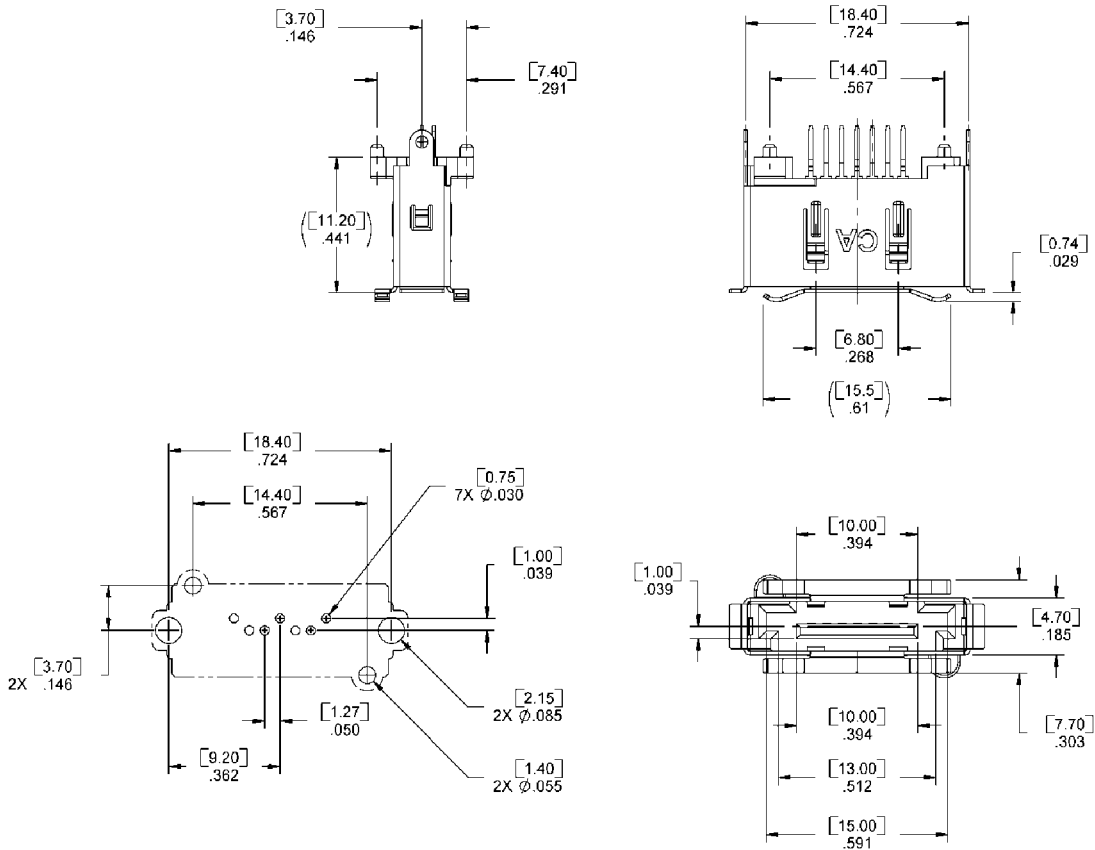
Contact Plating: See options below

#### ELECTRICAL

Current Rating: 1.5 AMP

CA-07ESAP-PLATING -1

PLATING	
A	= gold flash
C	= 15μ IN gold
F	= 30μ IN gold



Mating Product: ESATA Cable Assemblies (page 40)

Drawing Number: CA-620496

For more information please contact our customer service department or visit our website at [circuitassembly.com](http://circuitassembly.com)

Circuit Assembly Worldwide Hqtrs. 18 Thomas Street, Irvine, CA 92618-2777 USA Tel 1-949-855-7887 Fax 1-949-855-4298