



Pitch: .109" x .112"

D-SUB PLUG, IDT

SPECIFICATIONS

ENVIRONMENTAL

Temperature Range: -55°C to +105°C

MECHANICAL

Insulator Material: Glass-filled thermoplastic, black, UL94V-0
Note: 37 position, -4 option - insulator color is blue

Shell Material: Steel

Contact Material: Copper Alloy

Contact Plating: Gold Flash

Terminates To: .050" cable, 28 AWG

ELECTRICAL

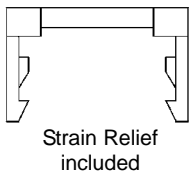
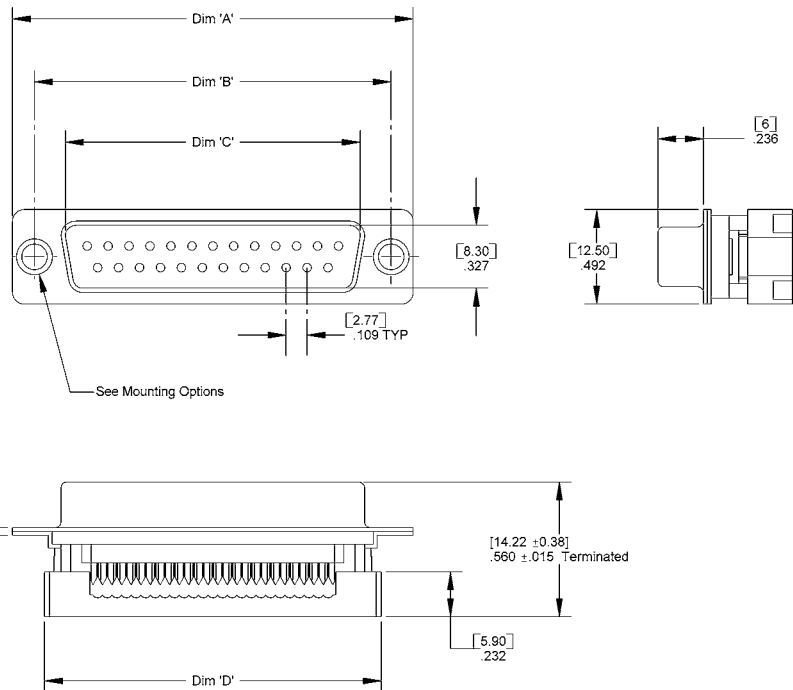
Current Rating: 1 AMP

Consult factory for additional options

CA- DPID- -SR

POSITION	MOUNTING HOLE OPTIONS
09 25	Blank = .120" thru holes
15 37	4 = 4-40 threaded insert

DIMENSIONS				
Position	A	B	C	D
09	1.21 [30.8]	.984 [24.99]	.666 [16.92]	.880 [22.40]
15	1.54 [39.1]	1.311 [33.30]	.994 [25.25]	1.21 [30.70]
25	2.09 [53.1]	1.854 [47.09]	1.534 [38.96]	1.75 [44.50]
37	2.73 [69.4]	2.500 [63.50]	2.182 [55.42]	2.42 [61.50]



Mating Product: DSR (page 143), DSD (page 141), DSRL (page 145)
 Drawing Number: CA-620337

