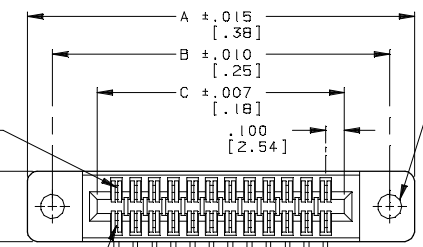
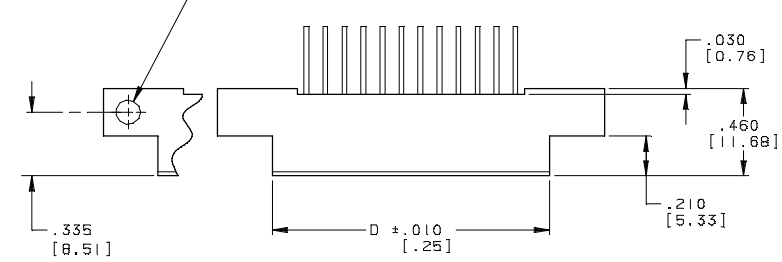
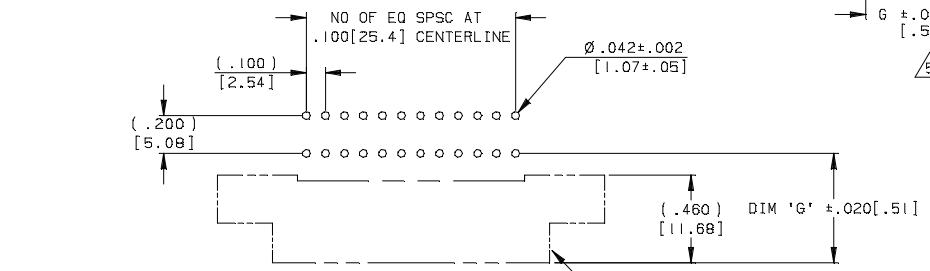
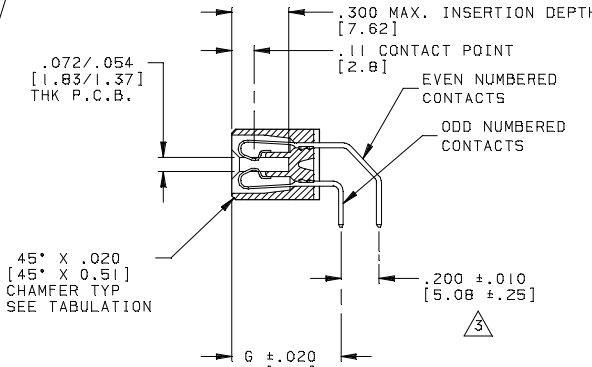
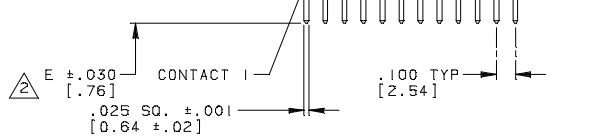


PART NO. CA-XXECR-X-XX

-5 & -6 MOUNTING CONFIGURATION



-1 & -4 MOUNTING CONFIGURATION SHOWN SEE ORDERING NOMENCLATURE



TABULATION: RECOMMENDED P.C.B. LAYOUT WITH EXTERNAL CHAMFER CONNECTOR OUTLINE

NO. POS	A		B		C		D		
	IN	MM	IN	MM	IN	MM	IN	MM	
20	1.835	46.61	1.575	40.00	1.100	27.94	1.260	32.00	X
24	2.035	51.69	1.775	45.08	1.300	33.02	1.460	37.08	X
26	2.135	54.23	1.875	47.62	1.400	35.56	1.560	39.62	X
30	2.335	59.31	2.075	52.70	1.600	40.64	1.760	44.70	
34	2.535	64.39	2.275	57.78	1.800	45.72	1.960	49.78	X
36	2.635	66.93	2.375	60.32	1.900	48.26	2.060	52.32	X
40	2.835	72.01	2.575	65.40	2.100	53.34	2.260	57.40	
44	3.035	77.09	2.775	70.48	2.300	58.42	2.460	62.48	X
50	3.335	84.71	3.075	78.10	2.600	66.04	2.760	70.10	
60	3.835	97.41	3.575	90.80	3.100	78.74	3.260	82.80	X
72	4.435	112.65	4.175	106.04	3.700	93.98	3.860	98.04	
80	4.835	122.81	4.575	116.20	4.100	104.14	4.260	108.20	X
86	5.135	130.43	4.875	123.82	4.400	111.76	4.560	115.82	
100	5.835	148.21	5.575	141.80	5.100	129.54	5.260	133.60	

80	DISCONTINUED	9
86	DISCONTINUED	9
100	DISCONTINUED	9

REVISIONS				
LTR	DESCRIPTION	DATE	APPROVED	
A	INITIAL RELEASE SEE ECR 111	09-20-84	JMCA	
B	SEE ECO 785	07-13-85	AJ	
C	SEE ECO 849	08-06-86	AJ	
D	SEE ECO 870	11-11-86	AJ	
E	SEE ECO 881	12-18-86	AJ	
F	SEE ECO 2283	1-9-95	AJ	
G	SEE ECO 2510	D.L. 4-2-96	A.J.	
H	SEE DO 4503	N.T. 5-30-01	A.J.	
J	SEE DO 6470	C.P. 6-28-07	I.M.	
K	SEE DO 6762	C.P. 11-11-08	A.J.	

- 9 POSITIONS 80, 86, 100 ARE DISCONTINUED. CONSULT FACTORY FOR PART AVAILABILITY FOR HIGH VOLUME REQUIREMENTS.
- 8. MEETS THE REQUIREMENTS OF DIRECTIVE 2002/95/EC OF THE EUROPEAN PARLIAMENT AND OF THE COUNCIL OF 27 JANUARY 2003 ON THE RESTRICTION OF THE USE OF CERTAIN HAZARDOUS SUBSTANCES IN ELECTRICAL AND ELECTRONIC EQUIPMENT. (RoHS)
- 7. Δ DENOTES INSPECTION CRITERIA LINE ITEM NO.
- 6. INTERPERT DIMENSIONS AND TOLERANCES PER ASME Y14.5M-1994
- 5. FOR DETAIL SPECIFICATIONS SEE DRAWING 100031
- 4. ORDERING NOMENCLATURE:



- NO. OF POSITIONS
- EDGE CARD RIGHT ANGLE
- MOUNTING CONFIGURATION:
  - 1 = Ø.128 [3.25] HOLE
  - 3 = NO MOUNTING EARS
  - 4 = #4-40 THREADED INSERT
  - 5 = Ø.128 [3.25] HOLE FOR RIGHT ANGLE MOUNTING
  - 6 = #4-40 THD INSERT FOR RT ANGLE MOUNTING
- TAIL TYPE:
  - E DIM. .145 [3.68] .575 [14.60]
  - G DIM. .575 [14.60] .535 [13.59]
  - SD = SOLDER DIP
  - SD2 = SOLDER DIP, TYPE 2

- 3. PLATING: CONTACT AREA: .000020 [.00051] GOLD  
TAIL AREA: .000150 [.00381] TIN  
UNDERPLATE: .000075 [.00190] NICKEL
  - 2. CONTACT MATERIAL: PHOSPHOR BRONZE
  - 1. INSULATOR MATERIAL: GLASS FILLED POLYESTER, GREEN, UL94V-0.
- NOTES: UNLESS OTHERWISE SPECIFIED

DIMENSIONS ARE IN INCHES TOLERANCES ARE: DECIMALS .XX ± .010 .XXX ± .005	APPROVALS DRAWN IAN MORRELL CHECKED A. JOCHEN	DATE 12/18/86	<b>CIRCUIT ASSEMBLY CORP.</b> 18 THOMAS ST., IRVINE, CALIFORNIA 92618-2777
DIMENSIONS IN BRACKETS [X.XX] ARE IN MILLIMETERS TOLERANCES ARE: DECIMALS .X ± .25 .XX ± .13	THE INFORMATION AND DESIGN DISCLOSED HEREIN WAS ORIGINATED BY AND IS THE PROPERTY OF CIRCUIT ASSEMBLY CORPORATION. CIRCUIT ASSEMBLY CORPORATION RESERVES ALL PATENT, PROPRIETARY, DESIGN, MANUFACTURING, REPRODUCTION, USE AND SALES RIGHTS THEREIN AND TO ANY ARTICLE DISCLOSED HEREIN EXCEPT TO THE EXTENT RIGHTS ARE EXPRESSLY GRANTED TO OTHERS. THE FOREGOING DOES NOT APPLY TO VENDOR PROPRIETARY RIGHTS.		
DO NOT SCALE DRAWING	SIZE C	CODE IDENT NO. 52072	DRAWING NO. 610061
	SCALE: 2 : 1		SHEET 1 OF 1