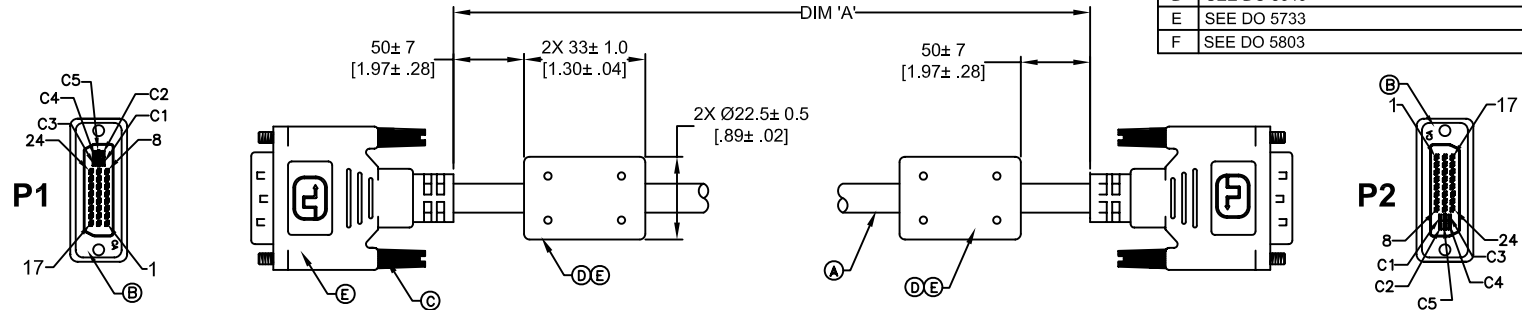


PART NO. CA-U702008-02.0

REVISIONS				
LTR	DESCRIPTION	DATE	APPROVED	
A	INITIAL RELEASE SEE DO 4085	JL 7-13-00	A.J.	
B	SEE DO 4698	CP 11-28-01	A.J.	
C	SEE DO 4749	CP 02-01-02	A.J.	
D	SEE DO 5646	CP 11-17-04	L.F.	
E	SEE DO 5733	CP 03-30-05	L.F.	
F	SEE DO 5803	CP 06-21-05	L.F.	

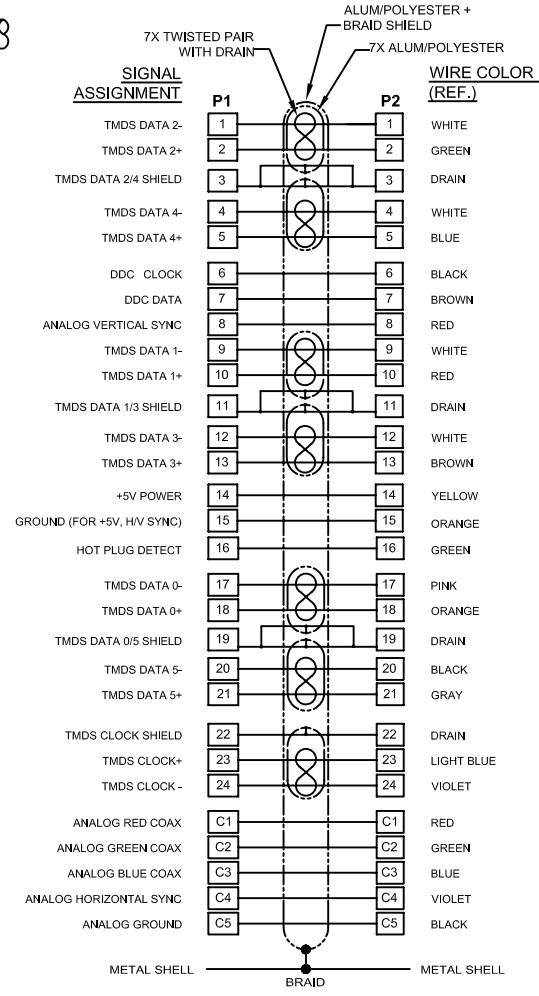
INTEGRATED DVI MALE TO MALE



BACK SIDE

BACK SIDE

WIRING DIAGRAM :



ORDERING NOMENCLATURE :

U702008-02.0

DIM 'A' (IN METERS) ①
02.0 = STANDARD

TOLERANCE TABLE :

CABLE LENGTH	TOLERANCE (IN METERS)
.1M - .9M	±.013M
1M - 2.9M	±.025M
3M OR GREATER	±.05M

① CONSULT FACTORY FOR ADDITIONAL COLORS, CABLE LENGTHS AND CONSTRUCTION OPTIONS.

NOTES : UNLESS OTHERWISE SPECIFIED

LIST OF MATERIALS :

ITEM	DESCRIPTION	QTY
E	BOOT PVC 45P COLOR: WHITE	A/R
D	CORE (OD)17.5*(L)28.5*(ID)10.5mm	2
C	THUMBSCREW Ø2.8*32.0mm #4-40UNC ABS COLOR: WHITE	4
B	DVI-H ANALOG 24+5 MALE CONNECTOR G/F(CA-29DVIPI-A*2)	2
A	UL 20276 #30*3COAX+(#28*1P+AE)*7PCS+#28*1P+#28*5C] +AEB O.D=9.2mm JACKET COLOR: WHITE	1

DIMENSIONS ARE IN MM TOLERANCES ARE :		APPROVALS	DATE	CIRCUIT ASSEMBLY CORP. 18 THOMAS ST., IRVINE, CALIFORNIA 92618-2777
DECIMALS .X ±.25 .XX ±.13		DRAWN J. LANG	7-13-00	
ANGLES ±3°		CHECKED A. JOCHEN	7-13-00	CABLE ASSEMBLY INTEGRATED DVI MALE TO MALE CA-29DVIPI-A, DUAL LINK
DIMENSIONS IN BRACKETS [XXX] ARE INCHES TOLERANCES ARE :		THE INFORMATION AND DESIGN DISCLOSED HEREIN WAS ORIGINATED BY AND IS THE PROPERTY OF CIRCUIT ASSEMBLY CORPORATION. CIRCUIT ASSEMBLY CORPORATION RESERVES ALL PATENT, PROPRIETARY, DESIGN, MANUFACTURING, REPRODUCTION, USE AND SALES RIGHTS THEREIN, AND TO ANY ARTICLES DISCLOSED HEREIN EXCEPT TO THE EXTENT RIGHTS ARE EXPRESSLY GRANTED TO OWNERS. THE FOREGOING DOES NOT APPLY TO VENDOR PROPRIETARY RIGHTS.		
DECIMALS .XX ±.010 .XXX ±.005		SIZE C	CODE IDENT NO. 52072	
DO NOT SCALE DRAWING				SCALE: 1 : 1 SHEET 1 OF 1